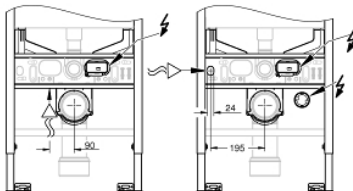
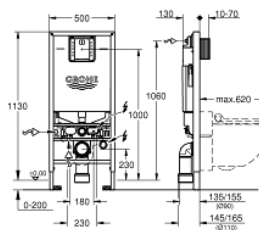


## 39 601 00D RAPID SLX ELEMENT FOR WC, 1.13 M INSTALLATION HEIGHT WITH INTEGRATED SOCKET



### PRODUCT DESCRIPTION (1/2)

- flushing cistern GDX, 6 l
- with integrated socket for shower toilets (power)
- ready for shower toilets (water)
- small revision shaft for small flush plates
- for on-the-wall installations or studded walls
- powder coated steel frame, self-supporting
- for dry-cladding, completely pre-assembled
- without outlet pipe
- with fixed connections
- quick adjustment, lockable
- fixing material
- TÜV approved
- 2 WC fixing bolts
- fixing device for ceramic
- distance of fixing bolts 180/230 mm
- outlet bend Ø 90 mm
- depth adjustable
- reducer Ø 90/110 mm
- inlet and outlet connecting set
- flushing cistern GDX, 6 l, containing following features:
  - adjustment ex factory 4.5 l and 3 l
  - pneumatic discharge valve offering 3 modes of operation: dual flush or start/stop or single flush
  - water supply from right, back or top
  - low noise (group I acc. to German Noise Specification)
  - fully insulated against condensation
  - 1/2" water supply connection including integrated angle valve and push fit flexible hose union
- no tools required for installation of inspection shaft
- for vertical use
- for on-the-wall installation 38 558 00M needs to be ordered separately
- including flow manager
- reduces flow of the flush

Pure Freude  
an Wasser

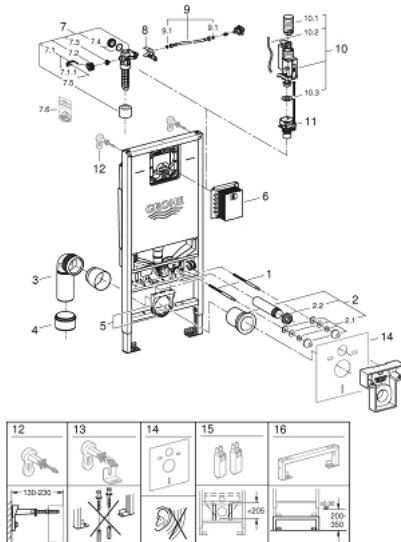


## 39 601 00D **RAPID SLX ELEMENT FOR WC, 1.13 M INSTALLATION HEIGHT WITH INTEGRATED SOCKET**

### **PRODUCT DESCRIPTION** (2/2)

- prevents overspill in rimless toilets
- easy flow regulation via inspection shaft without removing the valves

## 39 601 00D RAPID SLX ELEMENT FOR WC, 1.13 M INSTALLATION HEIGHT WITH INTEGRATED SOCKET



### SPARE PARTS, January 2020 – now

- 1: Threaded bolt (Spare part-nr. 4276400M)
  - 2: WC inlet and outlet connecting set (Spare part-nr. 37311K00)
    - 2.1: Basin fastening (Spare part-nr. 43511SH0)
    - 2.2: Connector (Spare part-nr. 37119000)
  - 3: PP-outlet bend Ø 90 mm (Spare part-nr. 42327000)
  - 4: 4" Outlet Adaptor for Rapid SL (Spare part-nr. 42242000)
  - 5: Support for outlet bend (Spare part-nr. 42243000)
  - 6: Revision shaft for small flush plates (Spare part-nr. 40911000)
  - 7: Filling valve (Spare part-nr. 42583000)
    - 7.1: Lever (Spare part-nr. 43734000)
      - 7.1.1: Seal (Spare part-nr. 4377000M)
    - 7.2: Valve head (Spare part-nr. 43536000)
    - 7.3: Membrane (Spare part-nr. 4375800M)
    - 7.4: Screw cap (Spare part-nr. 43735000)
    - 7.5: Valve FLOAT, 5 pcs.. (Spare part-nr. 4379100M)
    - 7.6: Set of seals (Spare part-nr. 43722000)\*
  - 8: Support device (Spare part-nr. 42246000)
  - 9: Tube (Spare part-nr. 42233000)
    - 9.1: Sealing washer (Spare part-nr. 0319100M)
  - 10: Dual Flush discharge valve AV1 (Spare part-nr. 42320000)
    - 10.1: Extension for overflow pipe (Spare part-nr. 42313000)
    - 10.2: Pneumatic hose (Spare part-nr. 42319000)
    - 10.3: Seal (Spare part-nr. 42310000)
  - 11: Valve seat (Spare part-nr. 42593000)
  - 12: Wall brackets
    - (Spare part-nr. 3855800M)\*
  - 13: Xtra wall brackets, flexible placing (Spare part-nr. 38733000)\*
  - 14: Set for noise protection (Spare part-nr. 37131000)\*
  - 15: special support (Spare part-nr. 39607000)\*
  - 16: Extension for Rapid SL and Rapid SLX (Spare part-nr. 38629001)\*
- \* Optional accessories