

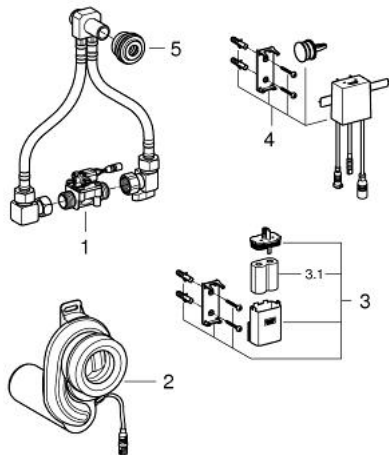
39 367 000 TEMPERATURE SENSOR FOR URINAL



PRODUCT DESCRIPTION

- 6V lithium battery, type CR-P2
- with water connection set and stop valve
- siphon with temperature sensor
- cartridge with solenoid valve and dirt strainer
- flow pressure min 0.5 bar
- operating pressure max 10 bar
- 7 pre-set programs:
 - auto flush
 - cleaning mode
 - pre-flush on/off
- CE approved

39 367 000 TEMPERATURE SENSOR FOR URINAL



SPARE PARTS, April 2015 – now

- 1: Solenoid valve (Spare part-nr. 42476000)
- 2: Waste trap (Spare part-nr. 42477000)
- 3: Battery housing with battery (Spare part-nr. 42393000)
- 3.1: Battery (Spare part-nr. 42886000)
- 4: Electronic (Spare part-nr. 42478000)
- 5: Lip seal (Spare part-nr. 4387500M)