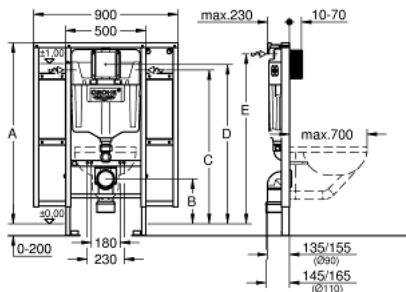


## 39 140 000 RAPID SL ELEMENT FOR WC, 1.13 M INSTALLATION HEIGHT WITH FIXING ELEMENT FOR BACK SUPPORT AND SUPPORT RAILS

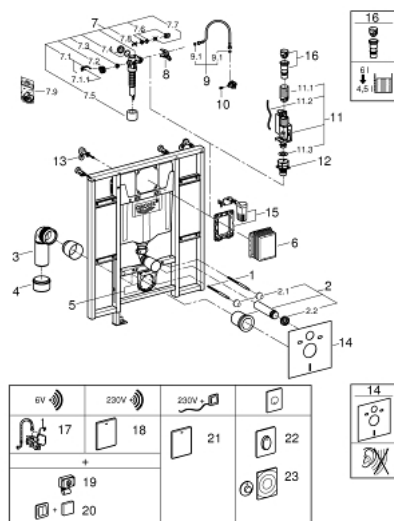


A	1080	1130
B	230	280
C	910	960
D	950	1000
E	1010	1060

### PRODUCT DESCRIPTION

- for WC bowls 70 cm projection
- for on-the-wall installations or studed walls
- powder coated steel frame, self-supporting
- for dry-cladding, completely pre-assembled
- with fixed connections
- TÜV approved
- 2 WC fixing bolts
- 4 wall brackets
- distance of fixing bolts 180/230 mm
- PP outlet bend Ø 90 mm
- depth adjustable
- PP reducer Ø 90/110 mm
- inlet and outlet connecting set
- flushing cistern GD 2, containing following features:
  - adjustment ex factory 6 l and 3 l
  - pneumatic discharge valve offering 3 modes of operation: dual flush or start/stop or single flush
  - water supply from left/right or back
  - low noise (group I acc. to German Noise Specification)
  - insulated against condensation
  - 1/2" water supply connection including integrated angle valve and push fit flexible hose union
- no tools required for installation of inspection shaft
- for vertical or horizontal use
- including wall brackets 38 558 00M for on-the-wall installation
- for mounting of small flush plates revision shaft 40 911 000 needs to be ordered separately

## 39 140 000 RAPID SL ELEMENT FOR WC, 1.13 M INSTALLATION HEIGHT WITH FIXING ELEMENT FOR BACK SUPPORT AND SUPPORT RAILS



### SPARE PARTS, June 2014 – now

- 1: Threaded bolt (Spare part-nr. 4276400M)
- 2: WC inlet and outlet connecting set (Spare part-nr. 37311K00)
  - 2.1: Basin fastening (Spare part-nr. 43511SH0)
  - 2.2: Connector (Spare part-nr. 37119000)
- 3: PP-outlet bend Ø 90 mm (Spare part-nr. 42327000)
- 4: 4" Outlet Adaptor for Rapid SL (Spare part-nr. 42242000)
- 5: Support for outlet bend (Spare part-nr. 42243000)
- 6: Revision shaft
  - (Spare part-nr. 66791000)
- 7: Filling valve (Spare part-nr. 37095000)
  - 7.1: Lever (Spare part-nr. 43734000)
    - 7.1.1: Seal (Spare part-nr. 4377000M)
  - 7.2: Valve head (Spare part-nr. 43536000)
  - 7.3: Membrane (Spare part-nr. 4375800M)
  - 7.4: Screw cap (Spare part-nr. 43735000)
  - 7.5: Valve FLOAT, 5 pcs.. (Spare part-nr. 4379100M)
  - 7.6: Set of seals (Spare part-nr. 43722000)\*
- 8: Support device (Spare part-nr. 42246000)
- 9: Tube (Spare part-nr. 42233000)
  - 9.1: Sealing washer (Spare part-nr. 0319100M)
- 10: Headpart (Spare part-nr. 42385000)
- 11: Dual Flush discharge valve AV1 (Spare part-nr. 42320000)
  - 11.1: Extension for overflow pipe (Spare part-nr. 42313000)
  - 11.2: Pneumatic hose (Spare part-nr. 42319000)
  - 11.3: Seal (Spare part-nr. 42310000)
- 12: Valve seat for GD2 (Spare part-nr. 42315000)
- 13: Wall brackets
  - (Spare part-nr. 3855800M)
- 14: Set for noise protection (Spare part-nr. 37131000)\*
- 15: Adaptor (Spare part-nr. 38796000)\*
- 16: 4.5 l adapter for GD2 (Spare part-nr. 42333000)\*
- 17: Radio electronic (Spare part-nr. 39141000)\*
- 18: Radio electronic (Spare part-nr. 38759SD0)\*
- 19: Radar 868,4 MHz (Spare part-nr. 38758000)\*
- 20: Radio transmitter (Spare part-nr. 39142000)\*
- 21: WC control for manual remote actuation (Spare part-nr. 38934SD0)\*
- 22: Flush plate (Spare part-nr. 38564000)\*
- 23: Pneumatic actuation (Spare part-nr. 37059000)\*