

38 862 SH0 SKATE FLUSH PLATE

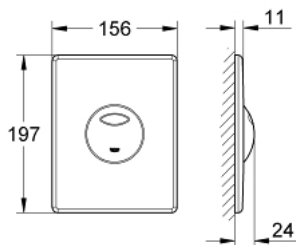


PRODUCT DESCRIPTION

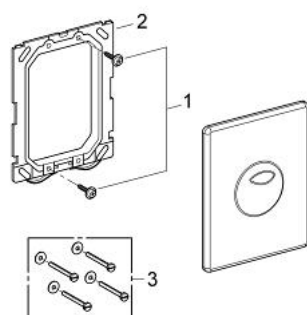
- Colour: alpine white
- for dual flush
- for pneumatic discharge valve AV1
- vertical and horizontal installation
- 156 x 197 mm
- material: ABS

- for combination with Rapid SL and Uniset with GD 2 cisterns

- for use with Rapid SLX please order shaft 66 791 000 (sold separately)



38 862 SH0 SKATE FLUSH PLATE



SPARE PARTS, January 2006 – now

1: Screw (Spare part-nr. 6636200M)

2: Mounting frame (Spare part-nr. 43207000)

3: Fixing set (Spare part-nr. 4308500M)*

* Optional accessories