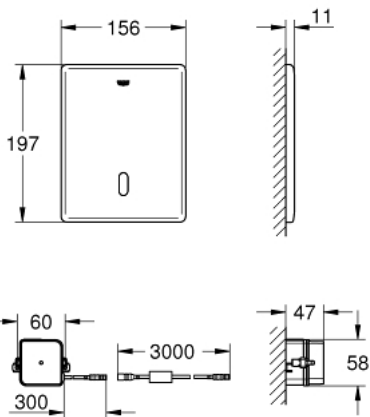


## 38 698 SD1 TECTRON SKATE INFRA-RED ELECTRONIC FOR WC FLUSHING CISTERN

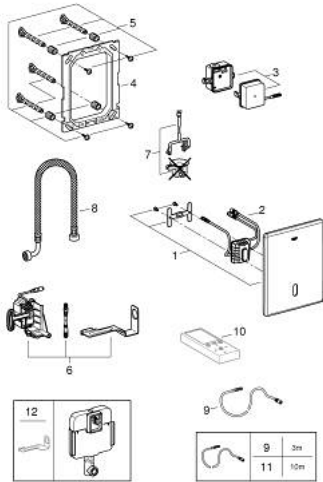


### PRODUCT DESCRIPTION

- Colour: stainless steel
- with infrared sensor for bi-directional communication for monitoring, configuration and service purpose
- with transformer 100-230 V AC, 50-60 Hz, 6 V DC
- for flushing cistern GD 2
- servo motor
- front plate 156 x 197 mm
- 7 pre-set programs:
  - auto flush
  - cleaning mode
  - pre-flush on/off
- additional functions and precise settings by remote control 36 407
- adjustable flush (3 - 9 l) by hand and remote
- CE approved
- for use with Rapid SLX please order shaft 66 791 000 (sold separately)



## 38 698 SD1 TECTRON SKATE INFRA-RED ELECTRONIC FOR WC FLUSHING CISTERN



### SPARE PARTS, May 2023 – now

- 1: SET-ABD-PL.EURO (Spare part-nr. 42449SD0)
  - 2: Electronic (Spare part-nr. 42611000)
  - 3: Switching power supply (Spare part-nr. 42470000)
  - 4: Mounting frame (Spare part-nr. 42736000)
  - 5: Fixing set (Spare part-nr. 4215800M)
  - 6: Servo motor (Spare part-nr. 42612000)
  - 7: Pop-up rod for servo motor (Spare part-nr. 43306000)
  - 8: Hose (Spare part-nr. 43307000)
  - 9: Extention cable (Spare part-nr. 36221000)
  - 10: Remote control (Spare part-nr. 36407001)\*
  - 11: Extention cable (Spare part-nr. 36222000)\*
  - 12: Motor support device (Spare part-nr. 43617000)\*
- \* Optional accessories