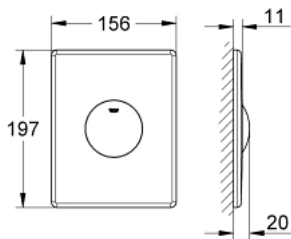


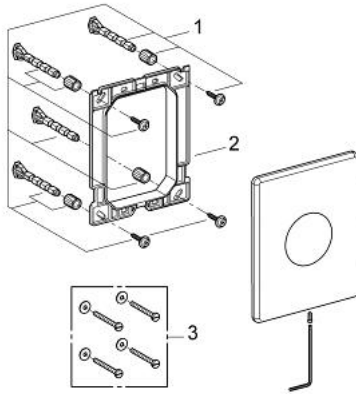
38 672 SD0 SKATE FLUSH PLATE, STAINLESS STEEL

PRODUCT DESCRIPTION

- Colour: stainless steel
- for start stop actuation
- vandal-proof
- for pneumatic discharge valve
- vertical installation
- 156 x 197 mm
- push button actuation
- plastic fixing frame
- hidden fixing screws



38 672 SD0 SKATE FLUSH PLATE, STAINLESS STEEL



SPARE PARTS, January 2008 – now

1: Fixing set (Spare part-nr. 4215800M)

2: Mounting (Spare part-nr. 42269000)

3: Fixing set (Spare part-nr. 4308500M)*

* Optional accessories