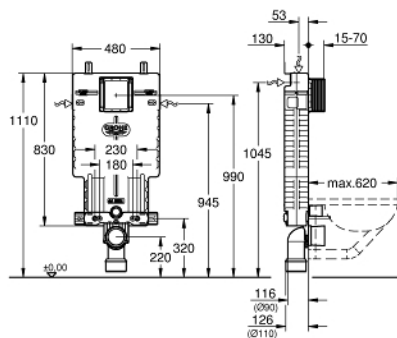


38 643 001 UNISSET ELEMENT FOR WC WITH EPS HOUSING

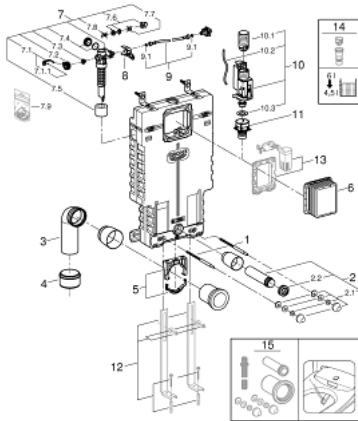


PRODUCT DESCRIPTION

- sound-insulating EPS module for masonry-in
- 830 x 480 x 130 mm
- rail adaptors for modular fixing
- wall rail with fixing accessories for single installation
- 2 WC fixing bolts
- distance of fixing bolts 180/230 mm
- outlet bend Ø 90 mm
- depth adjustable
- reducer Ø 90/110 mm
- inlet and outlet connecting set
- flushing cistern GD 2, containing following features:
 - adjustment ex factory 6 l and 3 l
 - pneumatic discharge valve offering 3 modes of operation: dual flush or start/stop or single flush
- water supply from left/right/back or top
- low noise (group I acc. to German Noise Specification)
- insulated against condensation
- 1/2" water supply connection including integrated angle valve and push fit flexible hose union
- for vertical or horizontal use
- no tools required for installation of inspection shaft
- preparation for shower toilets with additional accessory 40 899 000
- for mounting of small flush plates revision shaft 40 911 000 needs to be ordered separately



38 643 001 UNISSET ELEMENT FOR WC WITH EPS HOUSING



SPARE PARTS, October 2017 – now

- 1: Threaded bolt (Spare part-nr. 4276400M)
- 2: WC inlet and outlet connecting set (Spare part-nr. 37311K00)
- 2.1: Basin fastening (Spare part-nr. 43511SH0)
- 2.2: Connector (Spare part-nr. 37119000)
- 3: PP-outlet bend \varnothing 90 mm (Spare part-nr. 42327000)
- 4: 4" Outlet Adaptor for Rapid SL (Spare part-nr. 42242000)
- 5: Support for outlet bend (Spare part-nr. 42243000)
- 6: Revision shaft

(Spare part-nr. 66783000)
- 7: Filling valve (Spare part-nr. 37095000)
- 7.1: Lever (Spare part-nr. 43734000)
- 7.1.1: Seal (Spare part-nr. 4377000M)
- 7.2: Valve head (Spare part-nr. 43536000)
- 7.3: Membrane (Spare part-nr. 4375800M)
- 7.4: Screw cap (Spare part-nr. 43735000)
- 7.5: Valve FLOAT, 5 pcs.. (Spare part-nr. 4379100M)
- 7.6: Set of seals (Spare part-nr. 43722000)*
- 8: Support device (Spare part-nr. 42246000)
- 9: Tube (Spare part-nr. 42233000)
- 9.1: Sealing washer (Spare part-nr. 0319100M)
- 10: Dual Flush discharge valve AV1 (Spare part-nr. 42320000)
- 10.1: Extension for overflow pipe (Spare part-nr. 42313000)
- 10.2: Pneumatic hose (Spare part-nr. 42319000)
- 10.3: Seal (Spare part-nr. 42310000)
- 11: Valve seat for GD2 (Spare part-nr. 42315000)
- 12: Support feet (Spare part-nr. 37304000)*
- 13: Adaptor (Spare part-nr. 38796000)*
- 14: 4.5 l adapter for GD2 (Spare part-nr. 42333000)*
- 15: Retrofit kit for shower toilets Sensia Arena and Sensia Pro (Spare part-nr. 40899000)*

* Optional accessories