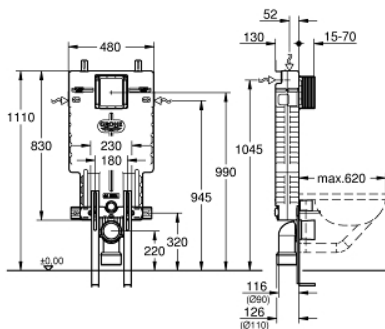


38 642 001 UNISSET ELEMENT FOR WC WITH EPS HOUSING AND SUPPORT FEET

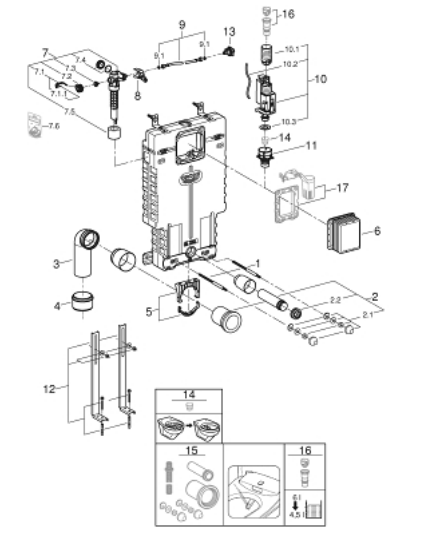


PRODUCT DESCRIPTION

- sound-insulating EPS module for masonry-in
 - 830 x 470 x 130 mm
 - rail adaptors for modular fixing
 - wall rail with fixing accessories for single installation
 - 2 WC fixing bolts
 - distance of fixing bolts 180/230 mm
 - outlet bend Ø 90 mm
 - depth adjustable
 - reducer Ø 90/110 mm
 - inlet and outlet connecting set
 - flushing cistern GD 2, containing following features:
 - adjustment ex factory 6 l and 3 l
 - pneumatic discharge valve offering 3 modes of operation: dual flush or start/stop or single flush
 - water supply from left/right/back or top
 - low noise (group I acc. to German Noise Specification)
 - insulated against condensation
 - 1/2" water supply connection including integrated angle valve and push fit flexible hose union
 - no tools required for installation of inspection shaft
- preparation for shower toilets with additional accessory 40 899 000
- for mounting of small flush plates revision shaft 40 911 000 needs to be ordered separately



38 642 001 UNISET ELEMENT FOR WC WITH EPS HOUSING AND SUPPORT FEET



SPARE PARTS, November 2021 – now

- 1: Threaded bolt (Spare part-nr. 4276400M)
- 2: WC inlet and outlet connecting set (Spare part-nr. 37311K00)
- 2.1: Basin fastening (Spare part-nr. 43511SH0)
- 2.2: Connector (Spare part-nr. 37119000)
- 3: PP-outlet bend Ø 90 mm (Spare part-nr. 42327000)
- 4: 4" Outlet Adaptor for Rapid SL (Spare part-nr. 42242000)
- 5: Support for outlet bend (Spare part-nr. 42243000)
- 6: Revision shaft

(Spare part-nr. 66783000)
- 7: Filling valve (Spare part-nr. 37095000)
- 7.1: Lever (Spare part-nr. 43734000)
- 7.1.1: Seal (Spare part-nr. 4377000M)
- 7.2: Valve head (Spare part-nr. 43536000)
- 7.3: Membrane (Spare part-nr. 4375800M)
- 7.4: Screw cap (Spare part-nr. 43735000)
- 7.5: Valve FLOAT, 5 pcs.. (Spare part-nr. 4379100M)
- 7.6: Set of seals (Spare part-nr. 43722000)*
- 8: Support device (Spare part-nr. 42246000)
- 9: Tube (Spare part-nr. 42233000)
- 9.1: Sealing washer (Spare part-nr. 0319100M)
- 10: Dual Flush discharge valve AV1 (Spare part-nr. 42320000)
- 10.1: Extension for overflow pipe (Spare part-nr. 42313000)
- 10.2: Pneumatic hose (Spare part-nr. 42319000)
- 10.3: Seal (Spare part-nr. 42310000)
- 11: Valve seat (Spare part-nr. 42599000)
- 12: Support feet (Spare part-nr. 37304000)
- 13: Water connection (Spare part-nr. 48561000)
- 14: Flow restrictor

(Spare part-nr. 42300000)*
- 15: Retrofit kit for shower toilets Sensia Arena and Sensia Pro (Spare part-nr. 40899000)*
- 16: 4.5 l adapter for GD2 (Spare part-nr. 42333000)*
- 17: Adaptor (Spare part-nr. 38796000)*

* Optional accessories