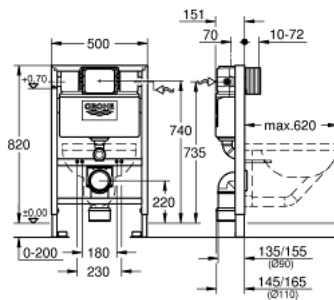


38 526 000 RAPID SL ELEMENT FOR WC, 0.82 M INSTALLATION HEIGHT

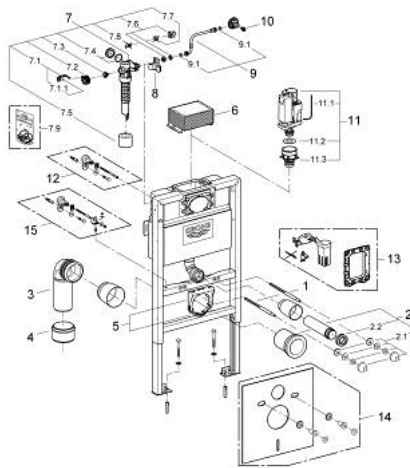


PRODUCT DESCRIPTION

- for on-the-wall installations or studded walls
- powder coated steel frame, self-supporting
- for dry-cladding, completely pre-assembled
- with fixed connections
- TÜV approved
- 2 WC fixing bolts
- distance of fixing bolts 180/230 mm
- PP outlet bend Ø 90 mm
- depth adjustable
- reducer Ø 90/110 mm
- inlet and outlet connecting set
- flushing cistern containing the following features:
 - pneumatic discharge valve offering 3 modes of operation: dual flush or start/stop or single flush
 - front or top actuation
 - water supply from left/right or back
 - low noise (group I acc. to German Noise Specification)
 - insulated against condensation
- 1/2" water supply connection including integrated angle valve and push fit flexible hose union
- Shortable inspection shaft incl. protection during construction phase
- for on-the-wall installation 38 558 00M needs to be ordered separately
- for mounting of small flush plates please order revision shaft 40 950 000 (sold separately)



38 526 000 **RAPID SL ELEMENT FOR WC, 0.82 M INSTALLATION HEIGHT**



SPARE PARTS, December 2012 – now

- 1: Threaded bolt (Spare part-nr. 4276400M)
 - 2: WC inlet and outlet connecting set (Spare part-nr. 37311K00)
 - 2.1: Basin fastening (Spare part-nr. 43511SH0)
 - 2.2: Connector (Spare part-nr. 37119000)
 - 3: PP-outlet bend Ø 90 mm (Spare part-nr. 42327000)
 - 4: 4" Outlet Adaptor for Rapid SL (Spare part-nr. 42242000)
 - 5: Support for outlet bend (Spare part-nr. 42243000)
 - 6: Inspection shaft for flushing cistern (Spare part-nr. 42326000)
 - 7: Filling valve (Spare part-nr. 37095000)
 - 7.1: Lever (Spare part-nr. 43734000)
 - 7.1.1: Seal (Spare part-nr. 4377000M)
 - 7.2: Valve head (Spare part-nr. 43536000)
 - 7.3: Membrane (Spare part-nr. 4375800M)
 - 7.4: Screw cap (Spare part-nr. 43735000)
 - 7.5: Valve FLOAT, 5 pcs.. (Spare part-nr. 4379100M)
 - 7.6: Set of seals (Spare part-nr. 43722000)*
 - 8: Support device (Spare part-nr. 42195000)
 - 9: Overflow Sleeve (Spare part-nr. 43325000)
 - 9.1: Sealing washer (Spare part-nr. 0319100M)
 - 10: Headpart (Spare part-nr. 42385000)
 - 11: Discharge valve AV1 complete (Spare part-nr. 42314000)
 - 11.1: Pneumatic hose (Spare part-nr. 42319000)
 - 11.2: Seal (Spare part-nr. 42310000)
 - 11.3: Valve seat for GD2 (Spare part-nr. 42315000)
 - 12: Wall brackets

(Spare part-nr. 3855800M)*
 - 13: Adaptor (Spare part-nr. 38796000)*
 - 14: Set for noise protection (Spare part-nr. 37131000)*
 - 15: Xtra wall brackets, flexible placing (Spare part-nr. 38733000)*
- * Optional accessories