

38 505 SHH **SKATE AIR FLUSH PLATE**

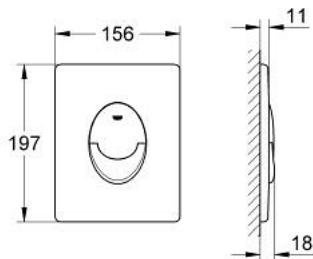


PRODUCT DESCRIPTION

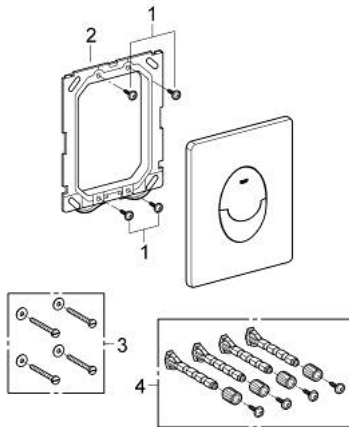
- Colour: alpine white
- for dual flush
- for pneumatic discharge valve AV1
- vertical installation
- 156 x 197 mm
- material: ABS
- GROHE LongLife finish
- anti-bacterial finish for increased hygiene

- for combination with Rapid SL and Uniset with GD 2 cisterns

- for use with Rapid SLX please order shaft 66 791 000 (sold separately)



38 505 SHH SKATE AIR FLUSH PLATE



SPARE PARTS, May 2023 – now

- 1: Screw (Spare part-nr. 6636200M)
- 2: Mounting frame (Spare part-nr. 43207000)
- 3: Fixing set (Spare part-nr. 4308500M)*
- 4: Fixing set (Spare part-nr. 4215800M)*

* Optional accessories