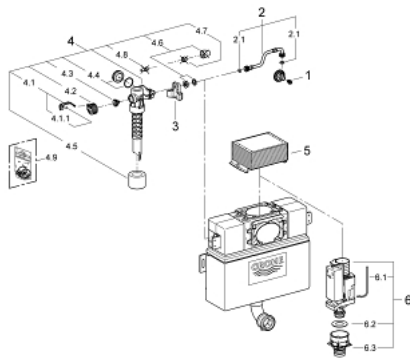


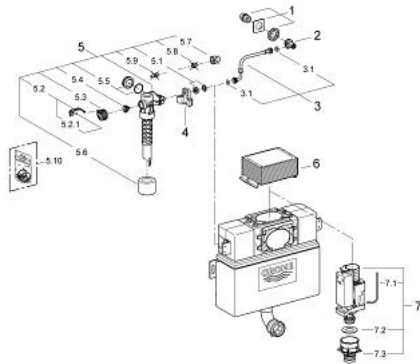
## 38 422 000 FLUSHING CISTERN FOR WC



### SPARE PARTS, July 2013 – now

- 1: Headpart (Spare part-nr. 42385000)
  - 2: Overflow Sleeve (Spare part-nr. 43325000)
  - 2.1: Sealing washer (Spare part-nr. 0319100M)
  - 3: Support device (Spare part-nr. 42195000)
  - 4: Filling valve (Spare part-nr. 37095000)
  - 4.1: Lever (Spare part-nr. 43734000)
  - 4.1.1: Seal (Spare part-nr. 4377000M)
  - 4.2: Valve head (Spare part-nr. 43536000)
  - 4.3: Membrane (Spare part-nr. 4375800M)
  - 4.4: Screw cap (Spare part-nr. 43735000)
  - 4.5: Valve FLOAT, 5 pcs.. (Spare part-nr. 4379100M)
  - 4.6: Set of seals (Spare part-nr. 43722000)\*
  - 5: Inspection shaft for flushing cistern (Spare part-nr. 42326000)
  - 6: Discharge valve AV1 complete (Spare part-nr. 42314000)
  - 6.1: Pneumatic hose (Spare part-nr. 42319000)
  - 6.2: Seal (Spare part-nr. 42310000)
  - 6.3: Valve seat for GD2 (Spare part-nr. 42315000)
- \* Optional accessories

## 38 422 000 FLUSHING CISTERN FOR WC

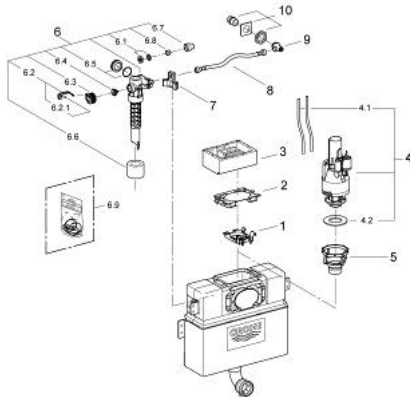


### SPARE PARTS, August 2007 – July 2013

- 1: Water supply (Spare part-nr. 42234000)
- 2: Angle valve (Spare part-nr. 42235000)
- 3: Overflow Sleeve (Spare part-nr. 43325000)
- 3.1: Sealing washer (Spare part-nr. 0319100M)
- 4: Support device (Spare part-nr. 42195000)
- 5: Filling valve (Spare part-nr. 37095000)
- 5.1: Lever (Spare part-nr. 43734000)
- 5.1.1: Seal (Spare part-nr. 4377000M)
- 5.2: Valve head (Spare part-nr. 43536000)
- 5.3: Membrane (Spare part-nr. 4375800M)
- 5.4: Screw cap (Spare part-nr. 43735000)
- 5.5: Valve FLOAT, 5 pcs.. (Spare part-nr. 4379100M)
- 5.6: Dummy plug and escutcheon cap (Spare part-nr. 37125000)
- 5.7: Compression nut (Spare part-nr. 43258000)
- 5.8: Throttle (Spare part-nr. 42356000)
- 5.9: Set of seals (Spare part-nr. 43722000)\*
- 6: Inspection shaft for flushing cistern (Spare part-nr. 42326000)
- 7: Discharge valve AV1 complete (Spare part-nr. 42314000)
- 7.1: Pneumatic hose (Spare part-nr. 42319000)
- 7.2: Seal (Spare part-nr. 42310000)
- 7.3: Valve seat for GD2 (Spare part-nr. 42315000)

\* Optional accessories

## 38 422 000 FLUSHING CISTERN FOR WC



### SPARE PARTS, July 2002 – August 2007

- 1: Traverse (Spare part-nr. 42196000)
- 2: Protective plate (Spare part-nr. 42199000)
- 3: Protection for maintenance access (Spare part-nr. 42200000)
- 4: Discharge valve, Dual Flush (Spare part-nr. 42774000)
- 4.1: Tubes (Spare part-nr. 42775000)
- 4.2: Seal (Spare part-nr. 4285200M)
- 5: Valve seat (Spare part-nr. 42198000)
- 6: Filling valve (Spare part-nr. 37095000)
- 6.1: Inlet adaptor (Spare part-nr. 43262000)
- 6.2: Lever (Spare part-nr. 43734000)
- 6.2.1: Seal (Spare part-nr. 4377000M)
- 6.3: Valve head (Spare part-nr. 43536000)
- 6.4: Membrane (Spare part-nr. 4375800M)
- 6.5: Screw cap (Spare part-nr. 43735000)
- 6.6: Valve FLOAT, 5 pcs.. (Spare part-nr. 4379100M)
- 6.7: Dummy plug and escutcheon cap (Spare part-nr. 37125000)
- 6.8: Compression nut (Spare part-nr. 43258000)
- 6.9: Throttle (Spare part-nr. 42356000)
- 6.10: Set of seals (Spare part-nr. 43722000)\*
- 7: Support device (Spare part-nr. 42195000)
- 8: Tube (Spare part-nr. 42233000)
- 8.1: Sealing washer (Spare part-nr. 0319100M)
- 9: Angle valve (Spare part-nr. 42235000)
- 10: Water supply (Spare part-nr. 42234000)

\* Optional accessories