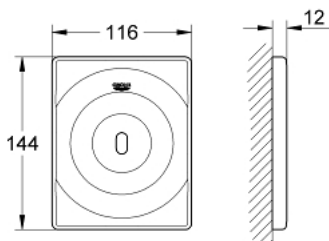


37 337 001 TECTRON SURF INFRA-RED ELECTRONIC FOR URINAL

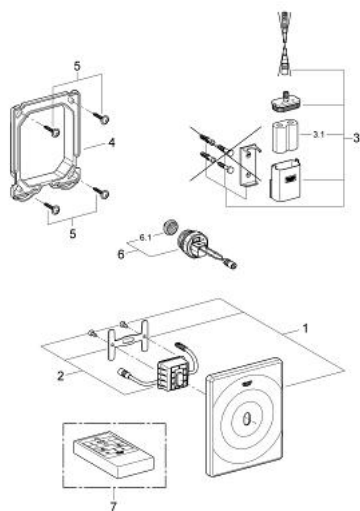


PRODUCT DESCRIPTION

- Colour: chrome
- with infrared sensor for bi-directional communication for monitoring, configuration and service purpose
- 6V lithium battery, type CR-P2
- battery lifetime: approx. 7 years (150 actuations a day)
- GROHE LongLife finish
- cartridge with solenoid valve and dirt strainer
- front plate 116 x 144 mm
- flow pressure min 0.5 bar
- operating pressure max 10 bar
- multistage battery status display
- 7 pre-set programs:
 - auto flush
 - cleaning mode
 - pre-flush on/off
- additional functions and precise settings by remote control 36 407
- adjustable flow time by hand or remote
- set for final installation
- for Rapido U or Rapido UMB
- CE approved



37 337 001 TECTRON SURF INFRA-RED ELECTRONIC FOR URINAL



SPARE PARTS, March 2016 – now

- 1: Top plate with electronic (Spare part-nr. 42451000)
- 2: Battery housing with battery (Spare part-nr. 42393000)
- 2.1: Battery (Spare part-nr. 42886000)
- 3: Mounting frame (Spare part-nr. 66845000)
- 4: Screw (Spare part-nr. 6636200M)
- 5: Solenoid valve (Spare part-nr. 66859000)
- 6: Remote control (Spare part-nr. 36407001)*

* Optional accessories