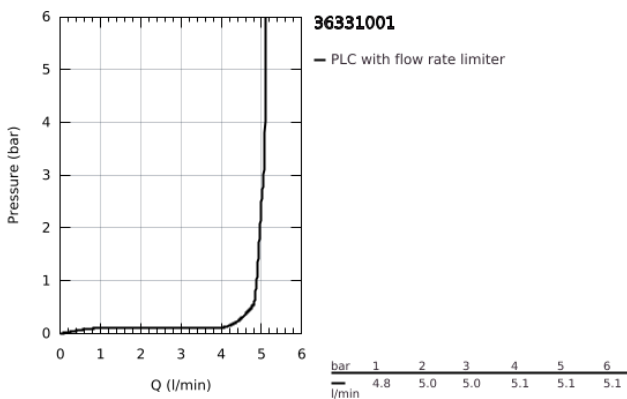
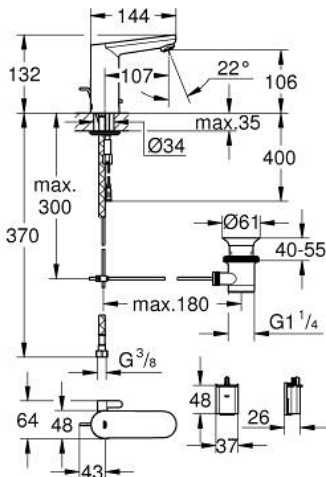


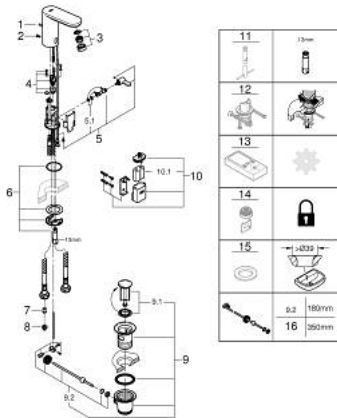
## 36 331 001 EUROSMART COSMOPOLITAN E INFRA-RED ELECTRONIC BASIN MIXER WITH MIXING DEVICE AND ADJUSTABLE TEMPERATURE LIMITER



### PRODUCT DESCRIPTION

- Colour: chrome
- with infrared sensor for bi-directional communication for monitoring, configuration and service purpose
- 6V lithium battery, type CR-P2
- battery lifetime: approx. 7 years (150 actuations a day)
- AquaCalibrator
- maximum flow rate (at 3 bar): 5 l/min
- pop-up waste set 1 1/4"
- non-return valve
- dirt strainers
- integrated solenoid valve
- external battery
- rapid installation system
- multistage battery status display
- 7 pre-set programs:
  - auto flush
  - thermal disinfection
  - cleaning mode
- additional functions and precise settings by remote control 36 407
- CE approved
- noise classification 1 in accordance with DIN4109
- type of protection faucet IP 59K

## 36 331 001 EUROSMART COSMOPOLITAN E INFRA-RED ELECTRONIC BASIN MIXER WITH MIXING DEVICE AND ADJUSTABLE TEMPERATURE LIMITER



### SPARE PARTS, March 2021 – now

- 1: Pop-up rod (Spare part-nr. 46739000)
  - 2: Screws (Spare part-nr. 4283100M)
  - 3: Mousseur (Spare part-nr. 48159000)
  - 4: Solenoid valve (Spare part-nr. 42479000)
  - 5: Mixing lever (Spare part-nr. 42401000)
  - 5.1: Sealing washer (Spare part-nr. 4284000M)
  - 6: Mounting set (Spare part-nr. 42400000)
  - 7: Non-return valve (Spare part-nr. 4257200M)
  - 8: Filter (Spare part-nr. 4241300M)
  - 9: Waste set 1 1/4" (Spare part-nr. 28910000)
  - 9.1: Plug (Spare part-nr. 07182000)
  - 9.2: Eccentric rod (Spare part-nr. 07052000)
  - 10: Battery housing with battery (Spare part-nr. 42393000)
  - 10.1: Battery (Spare part-nr. 42886000)
  - 11: Mounting wrench (Spare part-nr. 19017000)\*
  - 12: Rotation lock (Spare part-nr. 36276000)\*
  - 13: Remote control (Spare part-nr. 36407001)\*
  - 14: Mousseur (Spare part-nr. 36133000)\*
  - 15: Hidden mixing device  
(Spare part-nr. 42408000)\*
  - 16: Escutcheon (Spare part-nr. 36370000)\*
  - 17: Eccentric rod (Spare part-nr. 07341000)\*
- \* Optional accessories