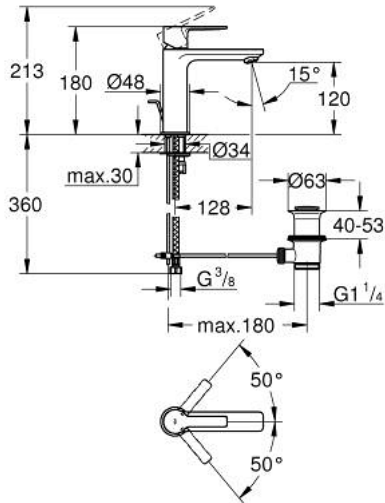
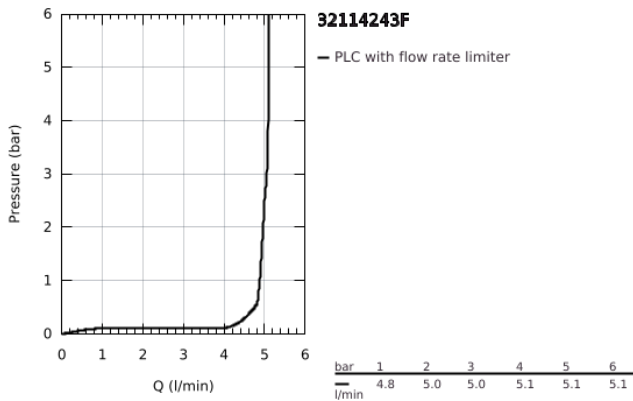


32 114 243 F LINEARE SINGLE-LEVER BASIN MIXER 1/2"  
S-SIZE

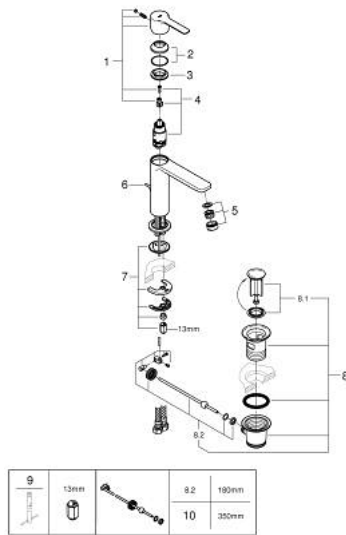


**PRODUCT DESCRIPTION**

- Colour: matte black
- GROHE SilkMove 28 mm ceramic cartridge
- with temperature limiter
- SpeedClean mousseur 5.0 l/min
- GROHE FastFixation Plus installation system
- pop-up waste set 1 1/4"
- flexible connection hoses



## 32 114 243 F LINEARE SINGLE-LEVER BASIN MIXER 1/2" S-SIZE



### SPARE PARTS, May 2024 – now

- 1: lever (Spare part-nr. 469802430)
- 2: Cap (Spare part-nr. 465812430)
- 3: Fitting ring (Spare part-nr. 07419000)
- 4: Cartridge (Spare part-nr. 46580000)
- 5: Mousseur (Spare part-nr. 481592430)
- 6: lift rod (Spare part-nr. 467392430)
- 7: Shank mounting kit (Spare part-nr. 46645000)
- 8: Waste set 1 1/4" (Spare part-nr. 289102430)
- 8.1: Plug (Spare part-nr. 071822430)
- 8.2: Eccentric rod (Spare part-nr. 07052000)
- 9: Mounting wrench (Spare part-nr. 19017000)\*
- 10: Eccentric rod (Spare part-nr. 07341000)\*

\* Optional accessories