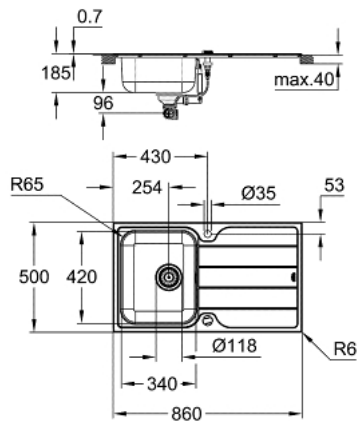


31 571 SD1 K500 STAINLESS STEEL SINK WITH DRAINER



PRODUCT DESCRIPTION

- Colour: stainless steel
- model: K500 45-S 86/50 1.0 rev
- mounting type: top mount
- material: stainless steel AISI 304 (V2A)
- material thickness: 0.7 mm
- GROHE LongLife finish
- finish: satin finish
- GROHE Whisper
- min. cabinet size: 450 mm
- dimensions: 860 x 500 mm
- 1 bowl: 340 x 420 x 170 mm
- outer radius: R6 (top mount), inner bowl radius: R65
- GROHE FastFixation installation system
- sink mountable left or right
- cut-out (top mount): 842 x 482 mm
- drilling holes: 2 x 35 mm
- waste: Ø 3.5" waste strainer with automatic waste fitting
- accessories included: automatic waste fitting with rotary handle, waste kit, basket strainer waste, mounting set
- optional: push to open excenter (40 986 SD0)
- amount of fasteners included (top mount): 14

31 571 SD1 K500 STAINLESS STEEL SINK WITH DRAINER

SPARE PARTS, August 2019 – now

1: Plug (Spare part-nr. 42588SD0)

2: Turning handle (Spare part-nr. 42587SD0)

