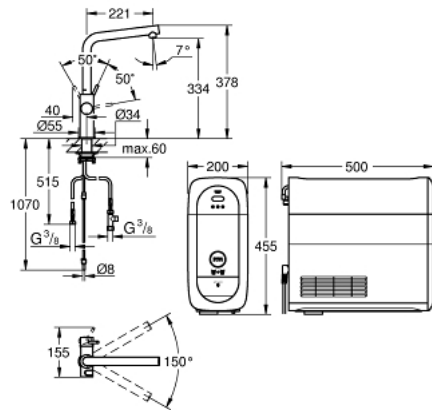


## 31 454 DC1 GROHE BLUE HOME L-SPOUT STARTER KIT



### PRODUCT DESCRIPTION (1/2)

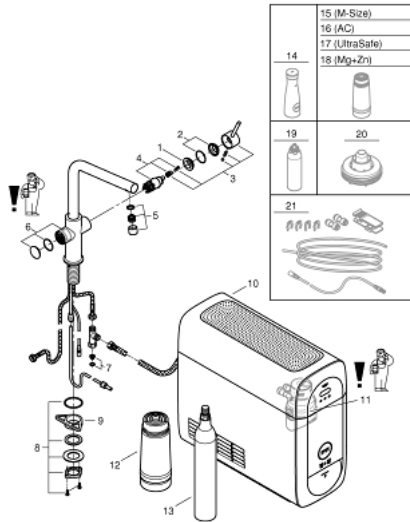
- Colour: supersteel
- GROHE Blue Home single-lever sink mixer with filter function
- L-spout
- push buttons for 3 types of filtered and chilled table water
- still, medium, sparkling
- GROHE LongLife finish
- GROHE SilkMove 28 mm ceramic cartridge
- swivel tubular spout, swivel area 150°
- separate inner water ways for filtered and non-filtered water
- flexible connection hoses
- GROHE Blue Home cooler
- delivers 3 liters of chilled sparkling water per hour
- 180 Watt cooling unit, 230 V, 50 Hz
- type of protection IP 21
- CE approved
- requires ventilation holes in the bottom of the kitchen cabinet
- software set-up, monitoring of filter and CO<sub>2</sub> capacity via GROHE Watersystems app
- push notifications at low filter resp. CO<sub>2</sub> capacity
- with Bluetooth\* and Wi-Fi interface for wireless data communication
- for Apple\*\* and Android devices
- bluetooth range (max. 10 m) varies on used materials and walls between transmitter and receiver
- GROHE Blue filter S-Size and filter head with flexible water hardness adjustment for regions with water hardness of more than 9° dKH
- for regions with water hardness below 9° dKH please order activated carbon filter 40 547 001

## 31 454 DC1 GROHE BLUE HOME L-SPOUT STARTER KIT

### PRODUCT DESCRIPTION (2/2)

- compatible with GROHE Blue filter S-Size, M-Size, GROHE Blue activated carbon filter, GROHE Blue Ultrasafe filter and GROHE Blue Magnesium + Zinc filter
- GROHE Blue 425 g CO<sub>2</sub> bottle
- System requirements Apple iPhone with iOS 14.0 or higher System requirements Android smart phone with Android 10.0 or higher Mobile devices and GROHE Watersystems App\*\*\* are not included in delivery and have to be ordered separately via an authorised Apple store/store/iTunes or Google Play store.\* The Bluetooth word mark and logos are registered trademarks owned by Bluetooth SIG, Inc. and any use of such marks by Grohe AG is under license. Other trademarks and trade names are those of their respective owners.\*\* Apple, the Apple logo, iPod, iPod Touch, iPhone and iTunes are trademarks of Apple Inc., registered in the U.S. and other countries. Apple is not responsible for the function of this device or its compliance with safety and regulatory standards.\*\*\* Available for free via iTunes app or Google Play store.
- This product includes an article which is declared as a hazardous substance. Find more information in the safety data sheet. You can download the safety data at: <https://safety-data-sheets.grohe.com>.
- Connected product pursuant to regulation (EU) 2023/2854. Pre contractual information at <https://eu-data-act.grohe.com/>

## 31 454 DC1 GROHE BLUE HOME L-SPOUT STARTER KIT



### SPARE PARTS, October 2021 – now

- 1: Fitting ring (Spare part-nr. 07419000)
- 2: Cap (Spare part-nr. 46581DC0)
- 3: Lever (Spare part-nr. 46957DC0)
- 4: Cartridge (Spare part-nr. 46580000)
- 5: Mousseur GROHE Blue L spout (Spare part-nr. 48194DC0)
- 6: Operating unit (Spare part-nr. 46958DC0)
- 7: Dirt strainer (Spare part-nr. 47576000)
- 8: Shank fastening assembly (Spare part-nr. 48384000)
- 9: Support plate (Spare part-nr. 05334000)
- 10: Cooler (Spare part-nr. 40711001)
- 11: Filter head (Spare part-nr. 48344000)
- 12: Filter S-Size (Spare part-nr. 40404001)
- 13: Starter kit 425 g CO<sub>2</sub> bottles (4 pieces) (Spare part-nr. 40422000)
- 14: Glass carafe (Spare part-nr. 40405000)\*
- 15: Filter M-Size (Spare part-nr. 40430001)\*
- 16: Activated carbon filter (Spare part-nr. 40547001)\*
- 17: UltraSafe filter (Spare part-nr. 40575001)\*
- 18: Magnesium+ filter (Spare part-nr. 40691001)\*
- 19: Cleaning cartridge (Spare part-nr. 40434001)\*
- 20: cleaning cartridge adapter (Spare part-nr. 40694000)\*
- 21: Extension set (Spare part-nr. 40843000)\*

\* Optional accessories