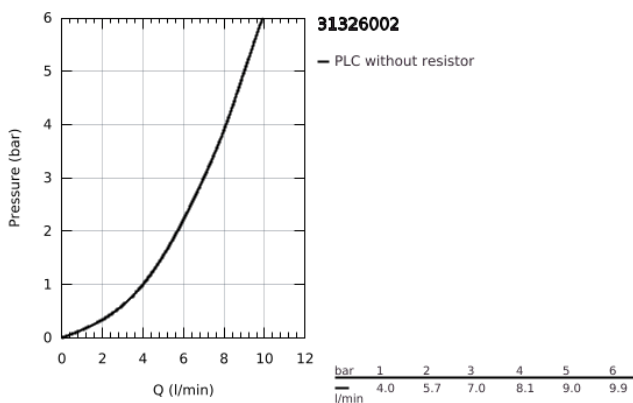
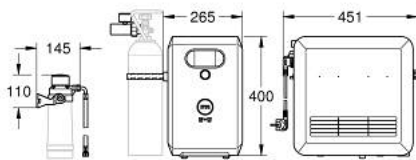
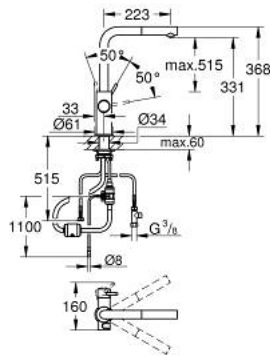


31 326 002 GROHE BLUE PROFESSIONAL L-SPOUT KIT WITH PULL-OUT SPOUT



PRODUCT DESCRIPTION (1/2)

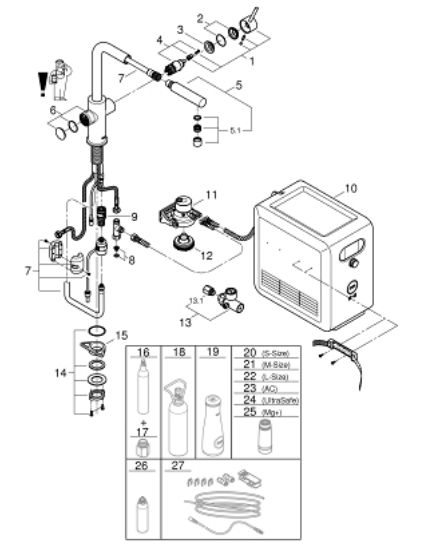
- Colour: chrome
- GROHE Blue single-lever sink mixer with filter function
- push buttons for 3 types of filtered and chilled table water
- still, medium, sparkling
- GROHE LongLife finish
- GROHE SilkMove 28 mm ceramic cartridge
- Pull-Out spout for greater flexibility
- swivel tubular spout, swivel area 360°
- separate inner water ways for filtered and non-filtered water
- flexible connection hoses
- GROHE Blue Professional cooler
- delivers 12 liters of chilled sparkling water per hour
- 270 Watt cooling unit, 230 V, 50 Hz
- type of protection IP 21
- CE approved
- requires ventilation holes in the bottom of the kitchen cabinet
- software set-up, monitoring of filter and CO₂ capacity via GROHE Watersystems app
- cleaning cartridge adapter, for use with GROHE Blue cleaning cartridge 40 434 001
- CO₂ pressure indicator
- GROHE Blue filter, CO₂ bottle and cleaning cartridge are not included and have to be ordered separately
- suitable filters:- filter S-size, capacity 600 l at 20° dKH (40 404 001)- filter M-size, capacity 1500 l at 20° dKH (40 430 001)- filter L-size, capacity 2500 l at 20° dKH (40 412 001)- activated carbon filter, capacity 3000 l (40 547 001)- Ultrasafe filter, capacity 3000 l (40 575 002)- Magnesium + Zinc filter, capacity 400 l at 17° dGH (40 691 002)

31 326 002 GROHE BLUE PROFESSIONAL L-SPOUT KIT WITH PULL-OUT SPOUT

PRODUCT DESCRIPTION (2/2)

- System requirements Apple iPhone with iOS 14.0 or higher System requirements Android smart phone with Android 10.0 or higher Mobile devices and GROHE Watersystems App*** are not included in delivery and have to be ordered separately via an authorised Apple store/store/iTunes or Google Play store.* The Bluetooth word mark and logos are registered trademarks owned by Bluetooth SIG, Inc. and any use of such marks by Grohe AG is under license. Other trademarks and trade names are those of their respective owners.** Apple, the Apple logo, iPod, iPod Touch, iPhone and iTunes are trademarks of Apple Inc., registered in the U.S. and other countries. Apple is not responsible for the function of this device or its compliance with safety and regulatory standards.*** Available for free via iTunes app or Google Play store.
- Connected product pursuant to regulation (EU) 2023/2854. Pre contractual information at <https://eu-data-act.grohe.com/>

31 326 002 GROHE BLUE PROFESSIONAL L-SPOUT KIT WITH PULL-OUT SPOUT



SPARE PARTS, May 2018 – now

- 1: Lever (Spare part-nr. 46957000)
- 2: Cap (Spare part-nr. 46581000)
- 3: Fitting ring (Spare part-nr. 07419000)
- 4: Cartridge (Spare part-nr. 46580000)
- 5: Hand shower (Spare part-nr. 46999000)
- 5.1: Mousseur GROHE Blue L spout (Spare part-nr. 48194000)
- 6: Operating unit (Spare part-nr. 46958000)
- 7: Hose for pull-out shower (Spare part-nr. 48378000)
- 8: Dirt strainer (Spare part-nr. 47576000)
- 9: Quick coupling (Spare part-nr. 46315000)
- 10: Chiller and carbonizer (Spare part-nr. 40554002)
- 11: Filter head (Spare part-nr. 64508001)
- 12: cleaning cartridge adapter (Spare part-nr. 40694000)
- 13: Pressure indicator (Spare part-nr. 46717000)
- 13.1: CO₂ adapter (Spare part-nr. 40962000)
- 14: Shank fastening assembly (Spare part-nr. 48384000)
- 15: Support plate (Spare part-nr. 05334000)
- 16: Starter kit 425 g CO₂ bottles (4 pieces) (Spare part-nr. 40422000)*
- 17: CO₂ adapter (Spare part-nr. 40962000)*
- 18: Starter kit 2 kg CO₂ bottle (Spare part-nr. 40423000)*
- 19: Glass carafe (Spare part-nr. 40405000)*
- 20: Filter S-Size (Spare part-nr. 40404001)*
- 21: Filter M-Size (Spare part-nr. 40430001)*
- 22: Filter L-Size (Spare part-nr. 40412001)*
- 23: Activated carbon filter (Spare part-nr. 40547001)*
- 24: UltraSafe filter (Spare part-nr. 40575001)*
- 25: Magnesium+ filter (Spare part-nr. 40691001)*
- 26: Cleaning cartridge (Spare part-nr. 40434001)*
- 27: Extension set (Spare part-nr. 40843000)*

* Optional accessories