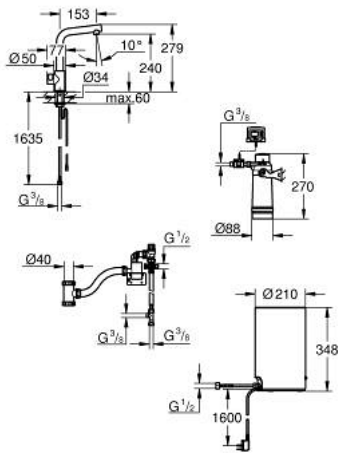
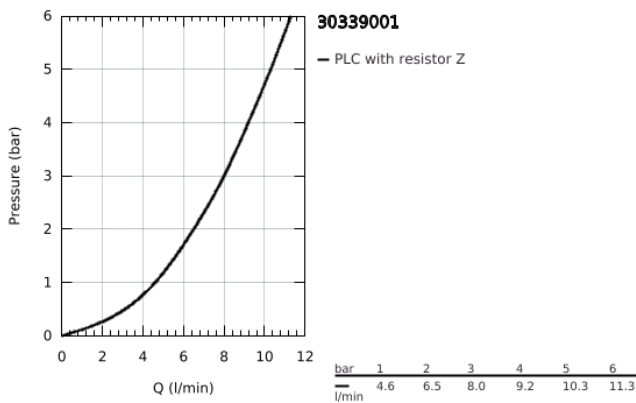


## 30 339 001 GROHE RED MONO PILLAR TAP AND M SIZE BOILER

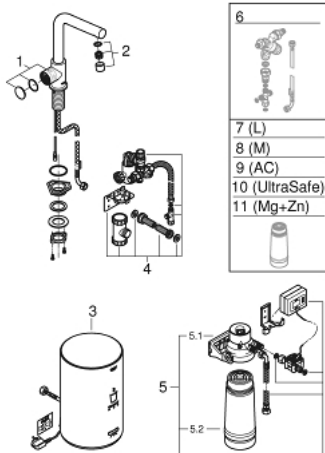


### PRODUCT DESCRIPTION

- Colour: chrome
- GROHE Red Mono pillar tap
- L-spout
- GROHE ChildLock push buttons for boiling water
- TÜV certified triple electronic safeguards against accidental activation of boiling water
- GROHE LongLife finish
- insulated tubular spout, swivel area 150°
- GROHE Red boiler M size
- 3 liter 100° C boiling water
- 4 liter total capacity
- required inlet pressure: 1-7 bar
- with flexible connection hose and outlet for boiling water
- CE approved
- power supply 230 V 50 Hz
- power consumption 2100 W
- standby power consumption 15 W
- energy efficiency class A
- GROHE Blue S-Size filter starter set
- for protection of the boiler from limescale
- capacity 600 l at 20° dKH
- flow rate measuring unit



## 30 339 001 GROHE RED MONO PILLAR TAP AND M SIZE BOILER



### SPARE PARTS, September 2016 – now

- 1: Operating unit (Spare part-nr. 46997000)
- 2: Mousseur (Spare part-nr. 13999000)
- 3: Boiler Size M (Spare part-nr. 40830001)
- 4: Safety group (Spare part-nr. 48371000)
- 5: S-size filter starter set (Spare part-nr. 40438001)
- 5.1: Filter head (Spare part-nr. 64508001)
- 5.2: Filter S-Size (Spare part-nr. 40404001)
- 6: Mixing valve (Spare part-nr. 40841001)\*
- 7: Filter L-Size (Spare part-nr. 40412001)\*
- 8: Filter M-Size (Spare part-nr. 40430001)\*
- 9: Activated carbon filter (Spare part-nr. 40547001)\*
- 10: UltraSafe filter (Spare part-nr. 40575001)\*
- 11: Magnesium+ filter (Spare part-nr. 40691001)\*

\* Optional accessories