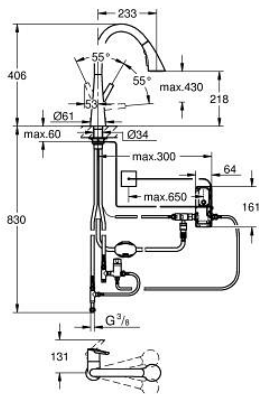


### 30 219 002 ZEDRA TOUCH ELECTRONIC SINGLE-LEVER SINK MIXER 1/2"



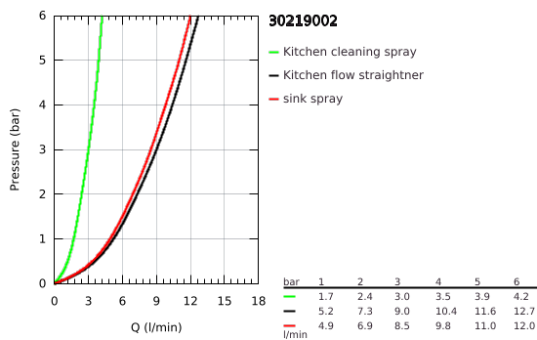
**PRODUCT DESCRIPTION**

- Colour: chrome
- Touch: activation of water via skin contact
- battery supply 6 V lithium-battery, type CR-P2
- CE approved
- solenoid valve
- safety stop after 60 sec.(factory set)
- GROHE LongLife finish
- GROHE SilkMove 35 mm ceramic cartridge
- Protected Water Ways no contact of water with lead or nickel inside the tap
- Pull-Out spray for greater flexibility
- MagneticDocking guarantees easy retraction and smooth docking of the spray head back to the starting position
- 3 spray types

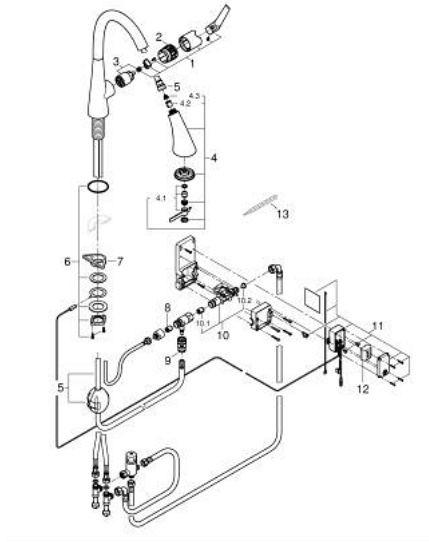


- diverter: laminar spray/SpeedClean shower jet/GROHE Blade spray

- stop function - pause button to stop the water flow
- automatic return to laminar spray
- adjustable flow rate limiter
- swivel tubular spout, swivel area 360°
- protected against backflow
- flexible connection hoses
- maximum flow rate (at 3 bar): 9 l/min



## 30 219 002 ZEDRA TOUCH ELECTRONIC SINGLE-LEVER SINK MIXER 1/2"



### SPARE PARTS, July 2017 – February 2021

- 1: Lever (Spare part-nr. 48476000)
- 2: Screw ring (Spare part-nr. 48517000)
- 3: Cartridge (Spare part-nr. 46374000)
- 4: Pull-Out spray (Spare part-nr. 48473000)
- 4.1: Flow straightener (Spare part-nr. 42622000)
- 4.2: Non-return valve (Spare part-nr. 08565000)
- 4.3: Dirt strainer (Spare part-nr. 0676800M)
- 5: Shower hose (Spare part-nr. 48472000)
- 6: Shank fastening assembly (Spare part-nr. 48384000)
- 7: Support plate (Spare part-nr. 05334000)
- 8: Non-return valve (Spare part-nr. 08565000)
- 9: Quick coupling (Spare part-nr. 46338000)
- 10: Solenoid valve (Spare part-nr. 48213000)
- 10.1: Non-return valve (Spare part-nr. 08565000)
- 10.2: Dirt strainer (Spare part-nr. 42395000)
- 11: Control unit (Spare part-nr. 48214000)
- 12: Battery (Spare part-nr. 42886000)
- 13: Adjusting Thermometer (°C) (Spare part-nr. 19001000)\*

\* Optional accessories