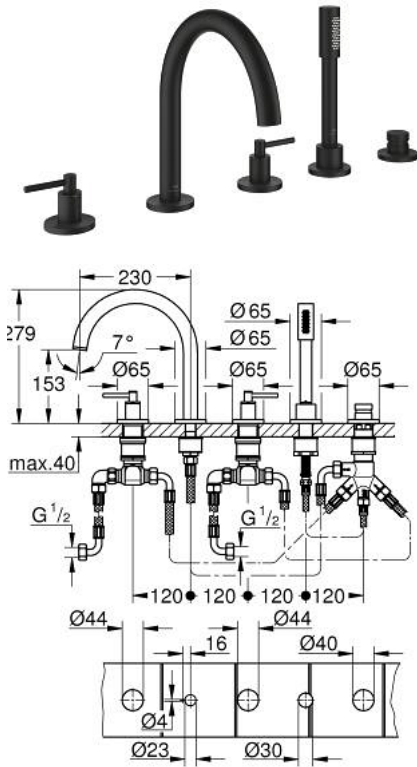
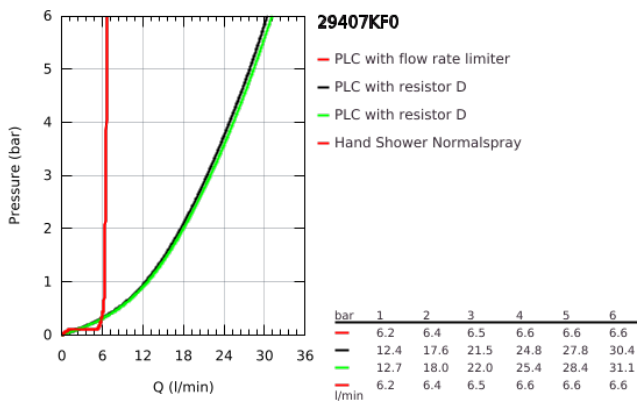


29 407 KF0 ATRIO 5-HOLE BATH/SHOWER COMBINATION

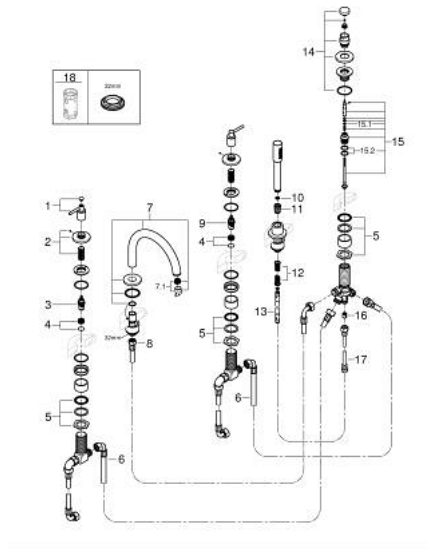


PRODUCT DESCRIPTION

- Colour: phantom black
- ceramic headparts 1/2", 90°
- pre-assembled spout fixing
- with lever handles
- bath spout with mousseur and diverter bath/shower
- hand shower Rainshower Aqua Stick 6.5 l/min
- shower hose 2000 mm
- flexible connection hoses
- connection for shower hose
- protected against backflow
- can be used with 29 037
- Sets of caps with "H" and "C" marking and without marking



29 407 KF0 ATRIO 5-HOLE BATH/SHOWER COMBINATION



SPARE PARTS, January 2024 – now

- 1: Lever handle bath (Spare part-nr. 14218KF0)
- 2: Escutcheon (Spare part-nr. 101351KF00)
- 3: Ceramic headpart 3/4" 180° (Spare part-nr. 45888000)
- 4: Valve seat 3/4" (Spare part-nr. 45345000)
- 5: Repl. kit for shank fastening (Spare part-nr. 45444000)
- 6: Tube (Spare part-nr. 48019000)
- 7: Outlet (Spare part-nr. 101350KF00)
- 7.1: Mousseur (Spare part-nr. 13926000)
- 8: Tube (Spare part-nr. 48018000)
- 9: Ceramic headpart 3/4" 180° (Spare part-nr. 45887000)
- 10: Dirt strainer (Spare part-nr. 0700200M)
- 11: Cone nut (Spare part-nr. 08864KU0)
- 12: Spring (Spare part-nr. 00869000)
- 13: Metal hose (Spare part-nr. 28146000)
- 14: Diverter knob (Spare part-nr. 48411KF0)
- 15: Diverter (Spare part-nr. 45443000)
- 15.1: Sealing washer Ø6 x Ø2 (Spare part-nr. 0128300M)
- 15.2: Sealing washer (Spare part-nr. 0120500M)
- 16: Non-return valve (Spare part-nr. 08565000)
- 17: Tube (Spare part-nr. 07300000)
- 18: Socket Spanner (Spare part-nr. 19332000)*

* Optional accessories