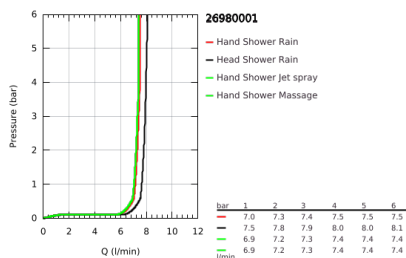
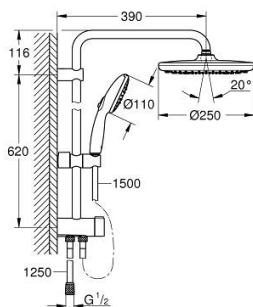


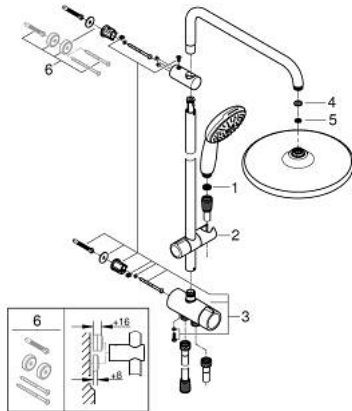
26 980 001 TEMPESTA SYSTEM 250 SHOWER SYSTEM WITH DIVERTER FOR WALL MOUNTING



PRODUCT DESCRIPTION

- Colour: chrome
- consisting of:
 - horizontal 390 mm shower arm, adjustable before installation
 - change by diverter between hand shower, head shower or head shower Eco setting
- head shower Tempesta 250 (26 666)
- 2 spray patterns (via diverter): Rain, SmartRain
- maximum flow rate (at 3 bar): 7.9 l/min
- head shower with white rear cover
- with ball joint, rotation angle $\pm 10^\circ$
- hand shower Tempesta 110 (28 419)
- spray patterns: Rain, Jet, Massage
- maximum flow rate (at 3 bar): 7.4 l/min
- adjustable in height with gliding element
- distance between diverter and upper bracket: 620 mm
- shower hose Relexaflex 1500 mm (28 151)
- shower hose Relexaflex 1250 mm (28 150)
- flexible installation: connection to faucet / wall union for water supply with 1/2" thread of the 1250 mm shower hose
- maximum flow rate system (at 3 bar): 7.9 l/min
- GROHE EcoJoy - less water, perfect flow
- GROHE SmartSwitch - easily rotate the dial to enjoy your preferred spray option
- GROHE DreamSpray - perfect spray pattern
- ShockProof silicone ring prevents damages caused by shower falling
- GROHE LongLife finish
- GROHE SpeedClean - effortless limescale removal
- Inner WaterGuide - inner insulation for surface protection
- suitable for instantaneous heaters from 18 kW/h
- minimum flow rate 5 l/min.
- minimum pressure 1.0 bar
- professional edition

26 980 001 TEMPESTA SYSTEM 250 SHOWER SYSTEM WITH DIVERTER FOR WALL MOUNTING



SPARE PARTS, November 2021 – now

- 1: Dirt strainer (Spare part-nr. 0700200M)
- 2: Glider (Spare part-nr. 48609000)
- 3: Diverter (Spare part-nr. 48338000)
- 4: Fibre seal dia. Ø18.5 x Ø12 x 2 (Spare part-nr. 0138900M)
- 5: Dirt strainer (Spare part-nr. 48007000)
- 6: Compensation disc (Spare part-nr. 26496000)*

* Optional accessories