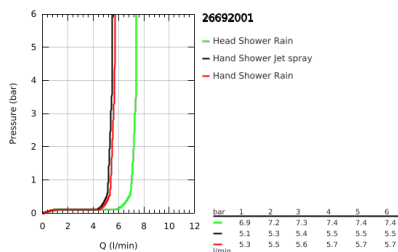
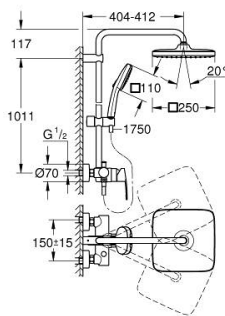


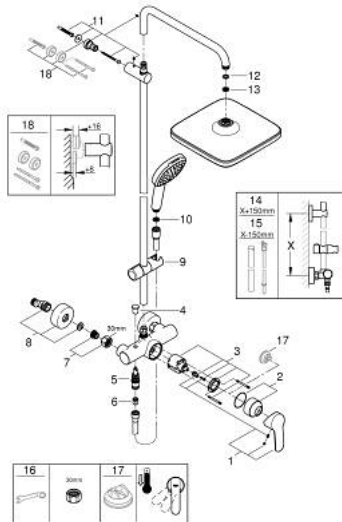
## 26 692 001 TEMPESTA SYSTEM 250 CUBE SHOWER SYSTEM WITH SINGLE LEVER MIXER FOR WALL MOUNTING



### PRODUCT DESCRIPTION

- Colour: chrome
- horizontal swivable 390 mm shower arm (14 047)
- exposed single-lever shower mixer with diverter
- head shower Tempesta 250 Cube (26 685)
- spray pattern: Rain
- maximum flow rate (at 3 bar): 7.3 l/min
- head shower with white rear cover
- hand shower Tempesta Cube 110 (27 571)
- maximum flow rate (at 3 bar): 5.6 l/min
- adjustable in height with gliding element
- Rotaflex TwistStop shower hose 1750 mm 1/2" x 1/2" (28 410)
- maximum flow rate system (at 3 bar): 7.3 l/min
- GROHE EcoJoy - less water, perfect flow
- GROHE SilkMove 46 mm ceramic cartridge
- GROHE SmartSwitch - easily rotate the dial to enjoy your preferred spray option
- GROHE DreamSpray - perfect spray pattern
- ShockProof silicone ring prevents damages caused by shower falling
- GROHE LongLife finish
- GROHE SpeedClean - effortless limescale removal
- Inner WaterGuide - inner insulation for surface protection
- TwistStop - to prevent hose from twisting
- suitable for instantaneous heaters from 18 kW/h
- minimum flow rate 5 l/min.

## 26 692 001 TEMPESTA SYSTEM 250 CUBE SHOWER SYSTEM WITH SINGLE LEVER MIXER FOR WALL MOUNTING



### SPARE PARTS, November 2021 – now

- 1: Lever (Spare part-nr. 46726000)
- 2: Cap (Spare part-nr. 46025000)
- 3: Cartridge (Spare part-nr. 46048000)
- 4: Diverter knob (Spare part-nr. 65648000)
- 5: Diverter (Spare part-nr. 65655000)
- 6: Non-return valve (Spare part-nr. 08565000)
- 7: Screw connection 1/2" (Spare part-nr. 45044000)
- 8: S-union (Spare part-nr. 12662000)
- 9: Glider (Spare part-nr. 48609000)
- 10: Dirt strainer (Spare part-nr. 0700200M)
- 11: Shower bar holder (Spare part-nr. 48423000)
- 12: Fibre seal dia. Ø18.5 x Ø12 x 2 (Spare part-nr. 0138900M)
- 13: Dirt strainer (Spare part-nr. 48007000)
- 14: Shower system pipe for retrofitting (Spare part-nr. 48514000)\*
- 15: Shower system pipe for retrofitting (Spare part-nr. 48515000)\*
- 16: Special spanner (Spare part-nr. 19377000)\*
- 17: Temperature limiter (Spare part-nr. 46375000)\*
- 18: Compensation disc (Spare part-nr. 26496000)\*

\* Optional accessories