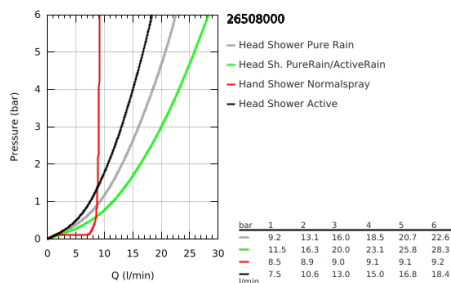


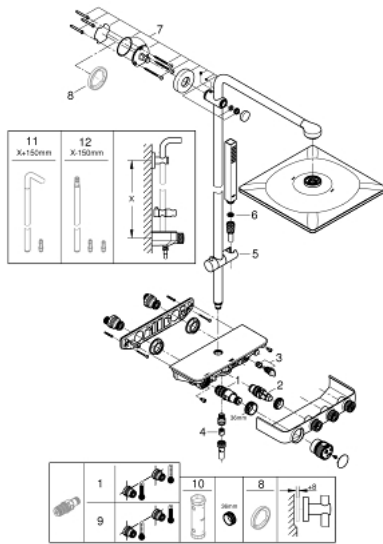
## 26 508 000 EUPHORIA SMARTCONTROL SYSTEM 310 CUBE SHOWER SYSTEM WITH SAFETY MIXER FOR WALL MOUNTING



### PRODUCT DESCRIPTION

- Colour: chrome
- horizontal 450 mm shower arm
- upper bracket adjustable for minimal adaption to existing drilling holes
- exposed SmartControl Safety Mixer
- head shower Rainshower SmartActive 310 Cube
- spray patterns: GROHE PureRain, ActiveRain
- maximum flow rate (at 3 bar): 20 l/min
- hand shower Euphoria Cube (27 699)
- maximum flow rate (at 3 bar): 16 l/min
- adjustable in height with gliding element
- shower hose Silverflex 1750 mm 1/2" x 1/2" (28 388)
- GROHE DreamSpray - perfect spray pattern
- GROHE CoolTouch - no risk of scalding
- GROHE TurboStat - compact cartridge with wax thermoelement
- GROHE ProGrip - with knurl structure
- GROHE LongLife finish
- GROHE SafeStop at 38°C
- GROHE SafeStop Plus - optional temperature limiter at 43°C included
- GROHE SmartControl - control the shower with intuitive push/turn button
- integrated GROHE EasyReach shower tray
- GROHE SpeedClean - effortless limescale removal
- Inner WaterGuide - inner insulation for surface protection
- TwistStop - to prevent hose from twisting
- suitable for instantaneous heaters from 18 kW/h
- minimum flow rate 5 l/min.

## 26 508 000 EUPHORIA SMARTCONTROL SYSTEM 310 CUBE SHOWER SYSTEM WITH SAFETY MIXER FOR WALL MOUNTING



### SPARE PARTS, February 2019 – now

- 1: Thermostatic compact cartridge 1/2" (Spare part-nr. 47439000)
  - 2: Cartridge (Spare part-nr. 48297000)
  - 3: Non-return valve (Spare part-nr. 49069000)
  - 4: Non-return valve (Spare part-nr. 08565000)
  - 5: Glider (Spare part-nr. 48177000)
  - 6: Dirt strainer (Spare part-nr. 0700200M)
  - 7: Shower bar holder (Spare part-nr. 48279000)
  - 8: Compensation disc (Spare part-nr. 27180000)\*
  - 9: GROHE TurboStat cartridge 1/2" (Spare part-nr. 47175000)\*
  - 10: Socket Spanner (Spare part-nr. 49059000)\*
  - 11: Shower system pipe for retrofitting (Spare part-nr. 48497000)\*
  - 12: Shower system pipe for retrofitting (Spare part-nr. 48498000)\*
- \* Optional accessories