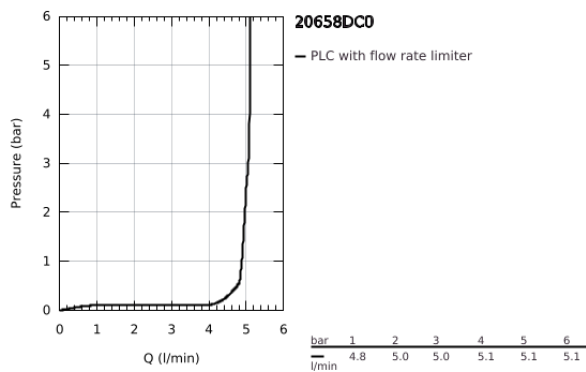
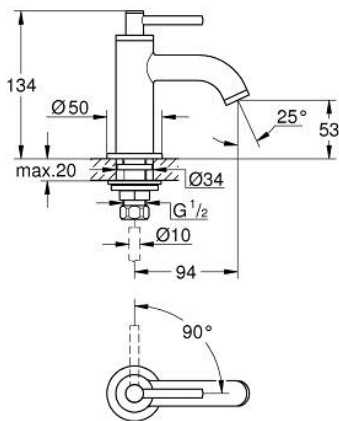


20 658 DC0 ATRIO PILLAR TAP 1/2"



PRODUCT DESCRIPTION

- Colour: supersteel
- headpart 1/2" - 90°
- GROHE LongLife finish
- 5.7 l/min laminar mousseur
- rapid installation system
- mousseur
- fixed spout
- with lever handle
- maximum flow rate (at 3 bar): 5 l/min
- GROHE EcoJoy - less water, perfect flow



20 658 DC0 ATRIO PILLAR TAP 1/2"



SPARE PARTS, October 2021 – now

- 1: Lever handles (Spare part-nr. 14216DC0)
- 2: Ceramic headpart, 1/2" (Spare part-nr. 45882000)
- 2.1: O-ring Ø18,2 x Ø1,7 (Spare part-nr. 0392400M)
- 3: Shank mounting kit (Spare part-nr. 45004000)
- 4: Flow straightener (Spare part-nr. 48408000)
- 5: Coupling nut 1/2" (Spare part-nr. 1290100M)
- 5.1: Fibre seal dia. Ø18.5 x Ø12 x 2 (Spare part-nr. 0138900M)
- 6: Coupling nut 1/2" x 14.5 mm (Spare part-nr. 1290200M)*

* Optional accessories