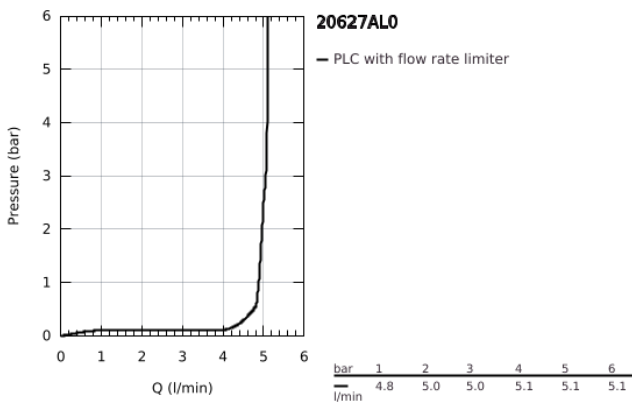
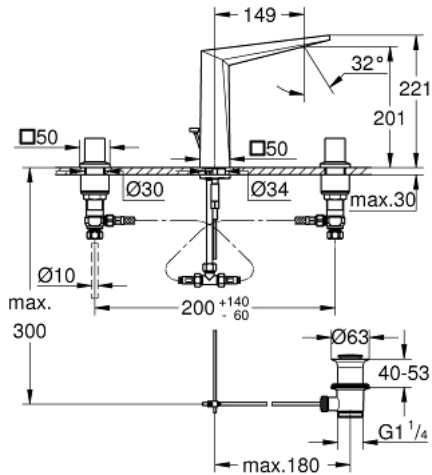


20 627 AL0 **ALLURE BRILLIANT 3-HOLE BASIN MIXER 1/2"**
L-SIZE

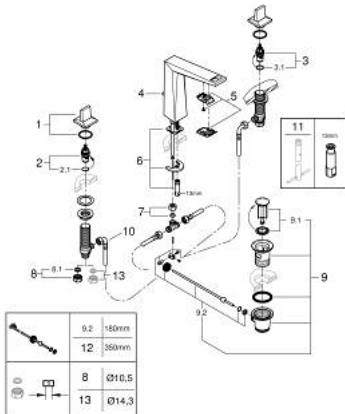


PRODUCT DESCRIPTION

- Colour: brushed hard graphite
- ceramic headparts 1/2", 90°
- GROHE LongLife finish
- GROHE EcoJoy - less water, perfect flow
- maximum flow rate (at 3 bar): 5 l/min
- spout with integrated mousseur
- pop-up waste set 1 1/4"
- flexible connection hoses between spout and side valves



20 627 AL0 ALLURE BRILLIANT 3-HOLE BASIN MIXER 1/2" L-SIZE



SPARE PARTS, October 2021 – now

- 1: Handle pair (Spare part-nr. 48320AL0)
- 2: Ceramic headpart, 1/2" (Spare part-nr. 45882000)
- 2.1: O-ring Ø18,2 x Ø1,7 (Spare part-nr. 0392400M)
- 3: Ceramic headpart, 1/2" (Spare part-nr. 45883000)
- 3.1: O-ring Ø18,2 x Ø1,7 (Spare part-nr. 0392400M)
- 4: Pop-up rod (Spare part-nr. 46787AL0)
- 5: Race (Spare part-nr. 46794AL0)
- 6: Shank mounting kit (Spare part-nr. 46671000)
- 7: Compression union 3/8" (Spare part-nr. 12914000)
- 7.1: Seal (Spare part-nr. 45279000)
- 8: Coupling nut 1/2" (Spare part-nr. 1290100M)
- 8.1: Fibre seal dia. Ø18.5 x Ø12 x 2 (Spare part-nr. 0138900M)
- 9: Waste set 1 1/4" (Spare part-nr. 28910AL0)
- 9.1: Plug (Spare part-nr. 07182AL0)
- 9.2: Eccentric rod (Spare part-nr. 07052000)
- 10: Flexible connection hose (Spare part-nr. 45704000)
- 11: Mounting wrench (Spare part-nr. 19017000)*
- 12: Eccentric rod (Spare part-nr. 07341000)*
- 13: Coupling nut 1/2" x 14.5 mm (Spare part-nr. 1290200M)*

* Optional accessories