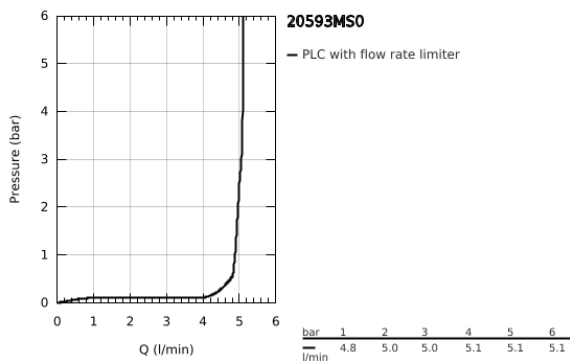
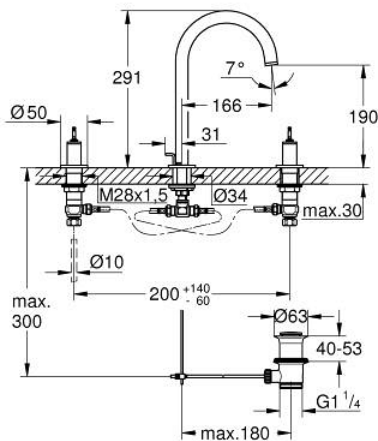


20 593 MS0 **ATRIO PRIVATE COLLECTION 3-HOLE BASIN MIXER 1/2"**  
**L-SIZE**

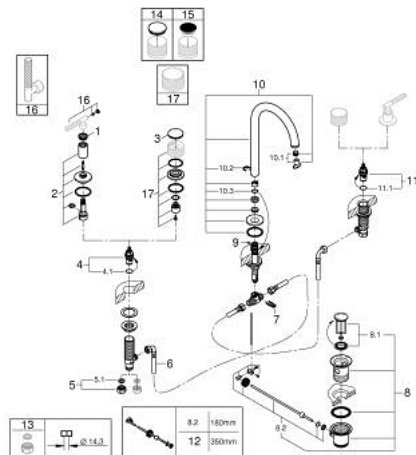


**PRODUCT DESCRIPTION**

- Colour: satin steel
- ceramic headparts 1/2", 90°
- GROHE LongLife finish
- GROHE EcoJoy - less water, perfect flow
- maximum flow rate (at 3 bar): 5 l/min
- swivel tubular spout with mousseur and stop limiter
- adjustable swivel area 0° / 150° / 360°
- pop-up waste set 1 1/4"
- flexible connection hoses between spout and side valves
- for stick handles
- to be combined with stick sets 48 458, 48 459 or 48 646, please order separately



20 593 MS0 **ATRIO PRIVATE COLLECTION 3-HOLE BASIN MIXER 1/2"**  
**L-SIZE**



**SPARE PARTS**, October 2022 – now

- 1: Decorative ring (Spare part-nr. 101296MS00)
- 2: Escutcheon (Spare part-nr. 101297MS00)
- 3: Cap (Spare part-nr. 101300MS00)
- 4: Ceramic headpart, 1/2" (Spare part-nr. 45882000)
- 4.1: O-ring Ø18,2 x Ø1,7 (Spare part-nr. 0392400M)
- 5: Coupling nut 1/2" (Spare part-nr. 1290100M)
- 5.1: Fibre seal dia. Ø18,5 x Ø12 x 2 (Spare part-nr. 0138900M)
- 6: Flexible connection hose (Spare part-nr. 45704000)
- 7: Fixing clamp (Spare part-nr. 6554100M)
- 8: Waste set 1 1/4" (Spare part-nr. 28910MS0)
- 8.1: Plug (Spare part-nr. 07182MS0)
- 8.2: Eccentric rod (Spare part-nr. 07052000)
- 9: Pop-up rod (Spare part-nr. 65196MS0)
- 10: Outlet (Spare part-nr. 101298MS00)
- 10.1: Flow straightener (Spare part-nr. 48408000)
- 10.2: Safety ring (Spare part-nr. 4826600M)
- 10.3: Sealing washer (Spare part-nr. 0128500M)
- 11: Ceramic headpart, 1/2" (Spare part-nr. 45883000)
- 11.1: O-ring Ø18,2 x Ø1,7 (Spare part-nr. 0392400M)
- 12: Eccentric rod (Spare part-nr. 07341000)\*
- 13: Coupling nut 1/2" x 14.5 mm (Spare part-nr. 1290200M)\*
- 14: Inlays made from White Attica Caesarstone material (Spare part-nr. 4846000)\*
- 15: Inlays made from Vanilla Noir Caesarstone material (Spare part-nr. 4846100)\*
- 16: Knurled sticks (Spare part-nr. 48646MS0)\*
- 17: Handle (Spare part-nr. 101299MS00)\*

\* Optional accessories