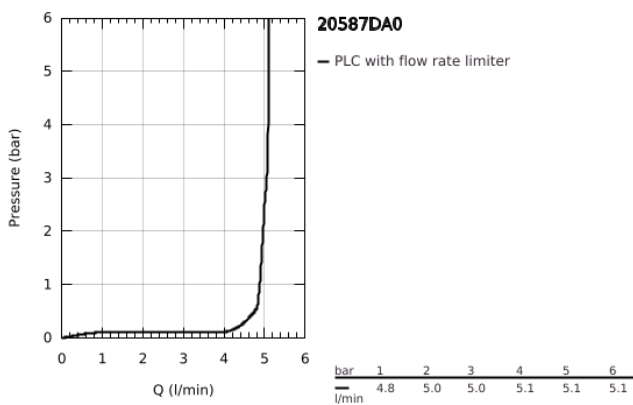
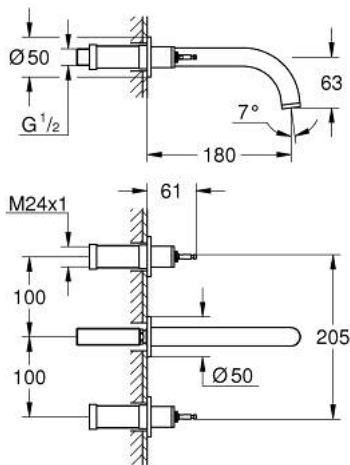


20 587 DA0 ATRIO PRIVATE COLLECTION 3-HOLE WASH-BASIN MIXER M-SIZE

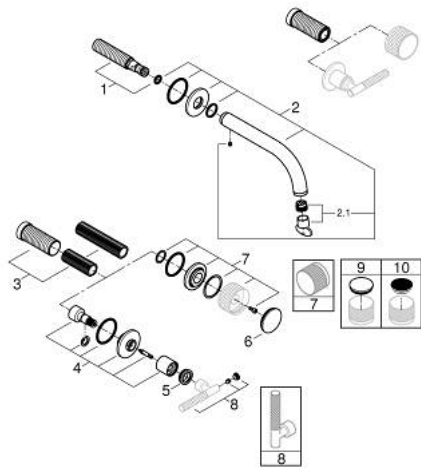


PRODUCT DESCRIPTION

- Colour: warm sunset
- wall mounted
- for use with rough-in set 29 025 002
- headparts 1/2" - 90°
- GROHE LongLife finish
- GROHE EcoJoy - less water, perfect flow
- maximum flow rate (at 3 bar): 5 l/min
- centre distance 200 mm
- projection 180 mm
- for stick handles
- to be combined with stick sets 48 458, 48 459 or 48 646, please order separately
- without roughing-in set 29 025 002 (please order separately)



20 587 DA0 ATRIO PRIVATE COLLECTION 3-HOLE WASH-BASIN MIXER M-SIZE



SPARE PARTS, May 2018 – now

- 1: Connection Nipple (Spare part-nr. 1013459990)
- 2: Outlet (Spare part-nr. 101344DA00)
- 2.1: Flow straightener (Spare part-nr. 48408000)
- 3: Extension for spindle (Spare part-nr. 1013469990)
- 4: Escutcheon (Spare part-nr. 101343DA00)
- 5: Decorative ring (Spare part-nr. 101296DA00)
- 6: Cap (Spare part-nr. 101300DA00)
- 7: Handle (Spare part-nr. 101347DA00)*
- 8: Knurled sticks (Spare part-nr. 48646DA0)*
- 9: Inlays made from White Attica Caesarstone material (Spare part-nr. 48460000)*
- 10: Inlays made from Vanilla Noir Caesarstone material (Spare part-nr. 48461000)*

* Optional accessories