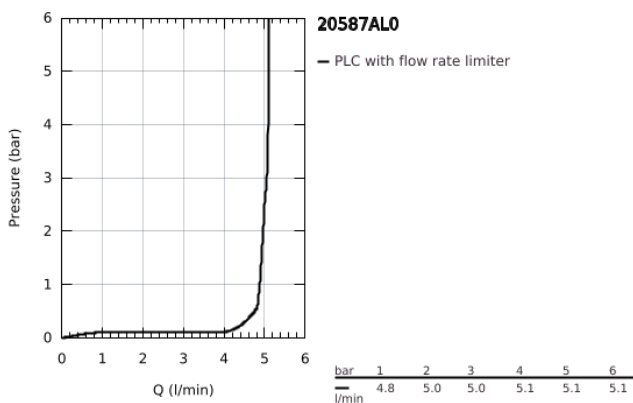
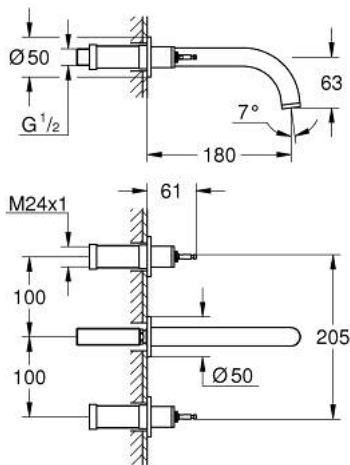


## 20 587 AL0 ATRIO PRIVATE COLLECTION 3-HOLE WASH-BASIN MIXER M-SIZE

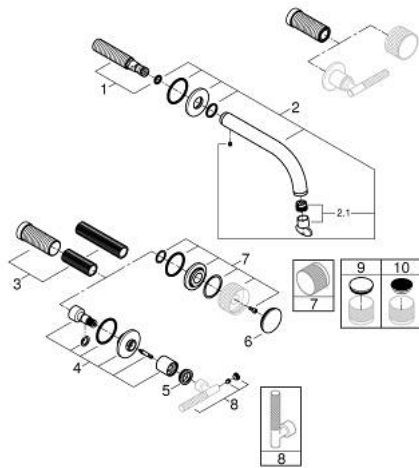


### PRODUCT DESCRIPTION

- Colour: brushed hard graphite
- wall mounted
- for use with rough-in set 29 025 002
- headparts 1/2" - 90°
- GROHE LongLife finish
- GROHE EcoJoy - less water, perfect flow
- maximum flow rate (at 3 bar): 5 l/min
- centre distance 200 mm
- projection 180 mm
- for stick handles
- to be combined with stick sets 48 458, 48 459 or 48 646, please order separately
- without roughing-in set 29 025 002 (please order separately)



## 20 587 AL0 ATRIO PRIVATE COLLECTION 3-HOLE WASH-BASIN MIXER M-SIZE



### SPARE PARTS, May 2018 – now

- 1: Connection Nipple (Spare part-nr. 1013459990)
  - 2: Outlet (Spare part-nr. 101344AL00)
  - 2.1: Flow straightener (Spare part-nr. 48408000)
  - 3: Extension for spindle (Spare part-nr. 1013469990)
  - 4: Escutcheon (Spare part-nr. 101343AL00)
  - 5: Decorative ring (Spare part-nr. 101296AL00)
  - 6: Cap (Spare part-nr. 101300AL00)
  - 7: Handle (Spare part-nr. 101347AL00)\*
  - 8: Knurled sticks (Spare part-nr. 48646AL0)\*
  - 9: Inlays made from White Attica Caesarstone material (Spare part-nr. 48460000)\*
  - 10: Inlays made from Vanilla Noir Caesarstone material (Spare part-nr. 48461000)\*
- \* Optional accessories