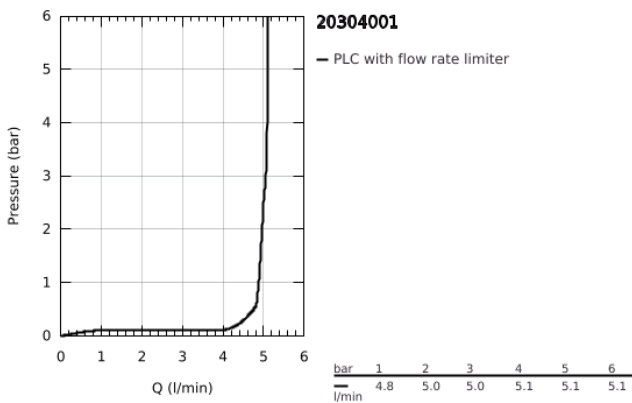
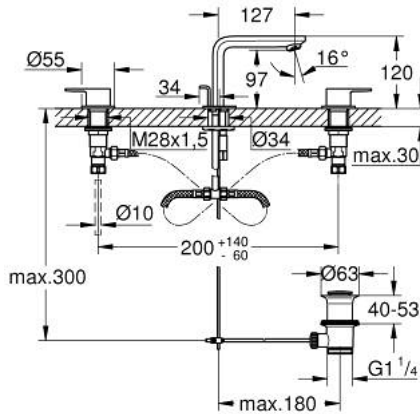


20 304 001 LINEARE 3-HOLE BASIN MIXER 1/2"  
M-SIZE

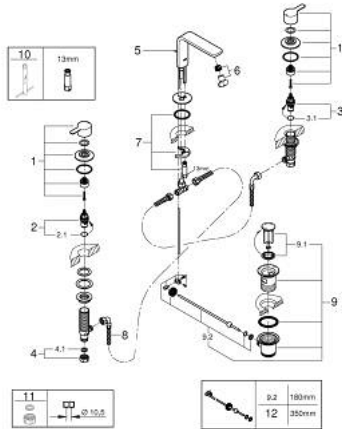


**PRODUCT DESCRIPTION**

- Colour: chrome
- ceramic headparts 1/2", 90°
- GROHE LongLife finish
- GROHE EcoJoy - less water, perfect flow
- maximum flow rate (at 3 bar): 5 l/min
- GROHE FastFixation installation system
- pop-up waste set 1 1/4"
- flexible connection hoses between spout and side valves



20 304 001 LINEARE 3-HOLE BASIN MIXER 1/2"  
M-SIZE



**SPARE PARTS**, July 2016 – now

- 1: Handle pair (Spare part-nr. 48357000)
- 2: Ceramic headpart, 1/2" (Spare part-nr. 45882000)
- 2.1: O-ring Ø18,2 x Ø1,7 (Spare part-nr. 0392400M)
- 3: Ceramic headpart, 1/2" (Spare part-nr. 45883000)
- 3.1: O-ring Ø18,2 x Ø1,7 (Spare part-nr. 0392400M)
- 4: Coupling nut 1/2" x 14.5 mm (Spare part-nr. 1290200M)
- 4.1: Fibre seal dia. Ø18.5 x Ø12 x 2 (Spare part-nr. 0138900M)
- 5: Pop-up rod (Spare part-nr. 65196000)
- 6: Mousseur (Spare part-nr. 13994000)
- 7: Shank mounting kit (Spare part-nr. 46671000)
- 8: Flexible connection hose (Spare part-nr. 45704000)
- 9: Waste set 1 1/4" (Spare part-nr. 28910000)
- 9.1: Plug (Spare part-nr. 07182000)
- 9.2: Eccentric rod (Spare part-nr. 07052000)
- 10: Mounting wrench (Spare part-nr. 19017000)\*
- 11: Coupling nut 1/2" (Spare part-nr. 1290100M)\*
- 12: Eccentric rod (Spare part-nr. 07341000)\*

\* Optional accessories