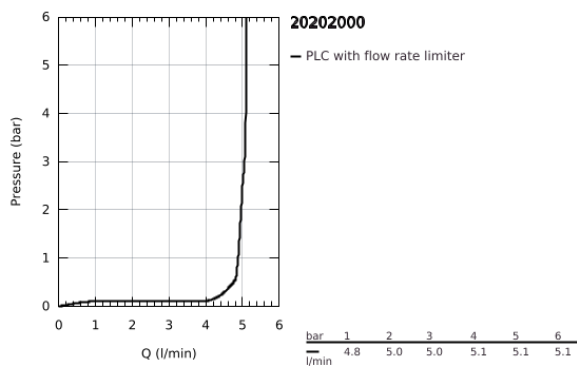
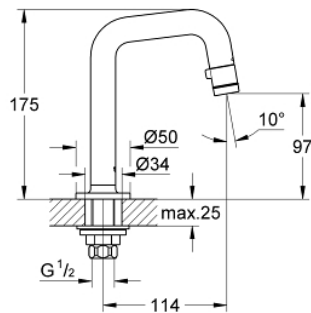


20 202 000 UNIVERSAL PILLAR TAP 1/2"

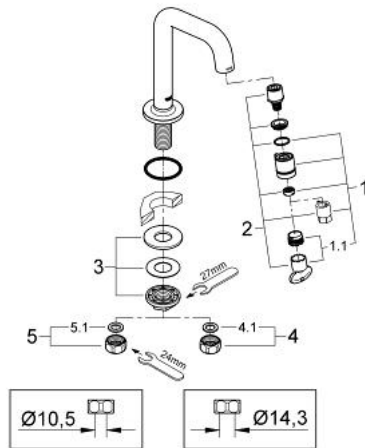


PRODUCT DESCRIPTION

- Colour: chrome
- 7°-spout
- Flow-Stop mousseur
- ceramic headpart
- union nut 1/2"
- with 10.5 mm drilling
- GROHE LongLife finish
- AquaCalibrator
- maximum flow rate (at 3 bar): 5 l/min
- projection 114 mm



20 202 000 UNIVERSAL PILLAR TAP 1/2"



SPARE PARTS, January 2010 – now

- 1: Handle (Spare part-nr. 48041000)
- 1.1: Mousseur (Spare part-nr. 13998000)
- 2: Headpart (Spare part-nr. 48042000)
- 3: Shank mounting kit (Spare part-nr. 45004000)
- 4: Coupling nut 1/2" x 14.5 mm (Spare part-nr. 1290200M)
- 4.1: Fibre seal dia. Ø18.5 x Ø12 x 2 (Spare part-nr. 0138900M)
- 5: Coupling nut 1/2" (Spare part-nr. 1290100M)
- 5.1: Fibre seal dia. Ø18.5 x Ø12 x 2 (Spare part-nr. 0138900M)