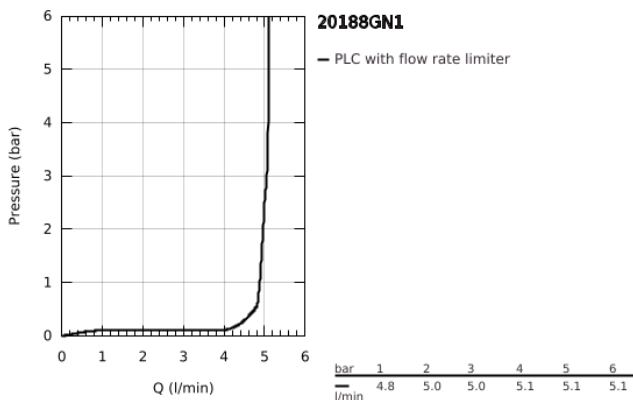
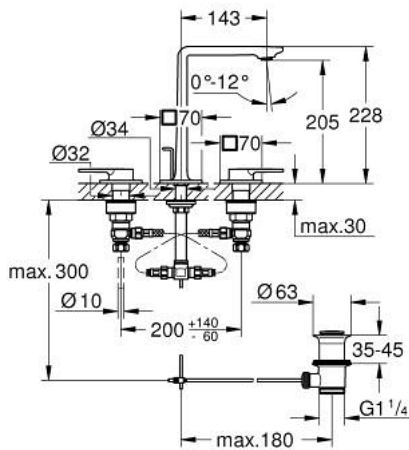


20 188 GN1 **ALLURE 3-HOLE BASIN MIXER 1/2"**
M-SIZE

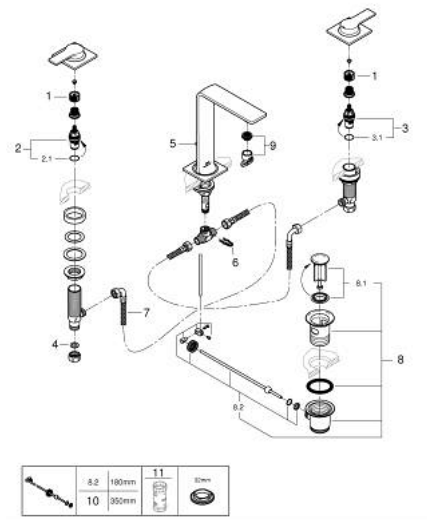


PRODUCT DESCRIPTION

- Colour: brushed cool sunrise
- with lever handles
- deck mounted
- ceramic headparts 1/2", 90°
- GROHE LongLife finish
- GROHE EcoJoy - less water, perfect flow
- maximum flow rate (at 3 bar): 5 l/min
- Precision Control with haptic click feedback (optional)
- GROHE AquaGuide adjustable slim air mousseur
- projection 143 mm
- flexible connection hoses between spout and side valves
- pop-up waste set 1 1/4"



20 188 GN1 ALLURE 3-HOLE BASIN MIXER 1/2" M-SIZE



SPARE PARTS, May 2018 – now

- 1: Extension for spindle (Spare part-nr. 45988000)
 - 2: Ceramic headpart, 1/2" (Spare part-nr. 45882000)
 - 2.1: O-ring Ø18,2 x Ø1,7 (Spare part-nr. 0392400M)
 - 3: Ceramic headpart, 1/2" (Spare part-nr. 45883000)
 - 3.1: O-ring Ø18,2 x Ø1,7 (Spare part-nr. 0392400M)
 - 4: Fibre seal dia. Ø18.5 x Ø12 x 2 (Spare part-nr. 0138900M)
 - 5: Pop-up rod (Spare part-nr. 65196GN0)
 - 6: Fixing clamp (Spare part-nr. 6554100M)
 - 7: Flexible connection hose (Spare part-nr. 45704000)
 - 8: Waste set 1 1/4" (Spare part-nr. 28910GN0)
 - 8.1: Plug (Spare part-nr. 07182GN0)
 - 8.2: Eccentric rod (Spare part-nr. 07052000)
 - 9: Mousseur (Spare part-nr. 48449000)
 - 10: Eccentric rod (Spare part-nr. 07341000)*
 - 11: Socket Spanner (Spare part-nr. 19332000)*
- * Optional accessories