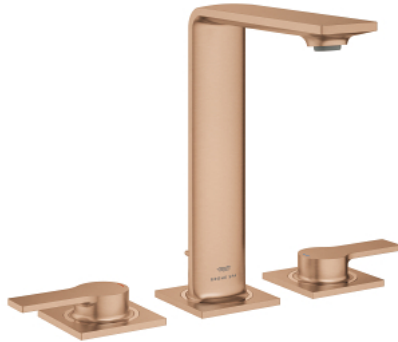
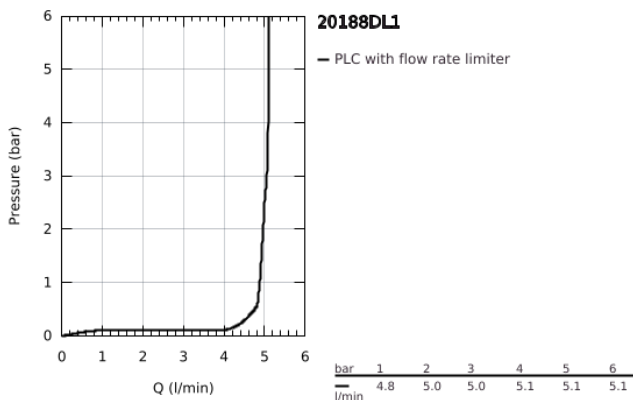
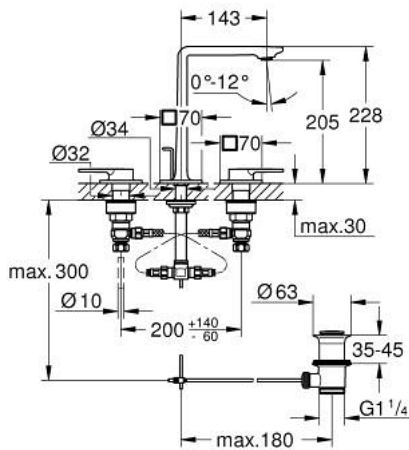


20 188 DL1 **ALLURE 3-HOLE BASIN MIXER 1/2"**  
**M-SIZE**

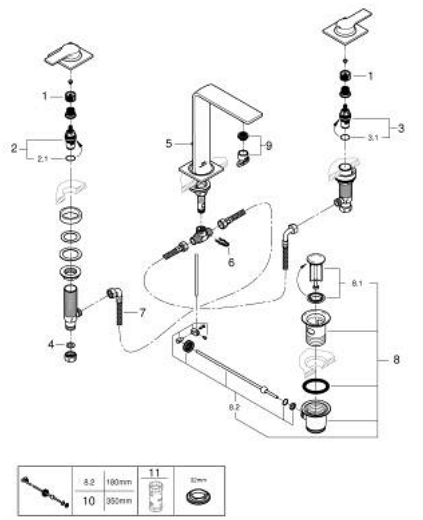


**PRODUCT DESCRIPTION**

- Colour: brushed warm sunset
- with lever handles
- deck mounted
- ceramic headparts 1/2", 90°
- GROHE LongLife finish
- GROHE EcoJoy - less water, perfect flow
- maximum flow rate (at 3 bar): 5 l/min
- Precision Control with haptic click feedback (optional)
- GROHE AquaGuide adjustable slim air mousseur
- projection 143 mm
- flexible connection hoses between spout and side valves
- pop-up waste set 1 1/4"



20 188 DL1 **ALLURE 3-HOLE BASIN MIXER 1/2"**  
**M-SIZE**



**SPARE PARTS**, May 2018 – now

- 1: Extension for spindle (Spare part-nr. 45988000)
  - 2: Ceramic headpart, 1/2" (Spare part-nr. 45882000)
  - 2.1: O-ring Ø18,2 x Ø1,7 (Spare part-nr. 0392400M)
  - 3: Ceramic headpart, 1/2" (Spare part-nr. 45883000)
  - 3.1: O-ring Ø18,2 x Ø1,7 (Spare part-nr. 0392400M)
  - 4: Fibre seal dia. Ø18.5 x Ø12 x 2 (Spare part-nr. 0138900M)
  - 5: Pop-up rod (Spare part-nr. 65196DL0)
  - 6: Fixing clamp (Spare part-nr. 6554100M)
  - 7: Flexible connection hose (Spare part-nr. 45704000)
  - 8: Waste set 1 1/4" (Spare part-nr. 28910DL0)
  - 8.1: Plug (Spare part-nr. 07182DL0)
  - 8.2: Eccentric rod (Spare part-nr. 07052000)
  - 9: Mousseur (Spare part-nr. 48449000)
  - 10: Eccentric rod (Spare part-nr. 07341000)\*
  - 11: Socket Spanner (Spare part-nr. 19332000)\*
- \* Optional accessories