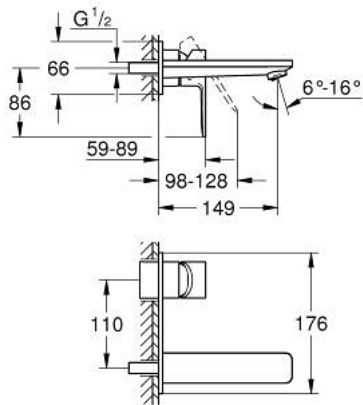
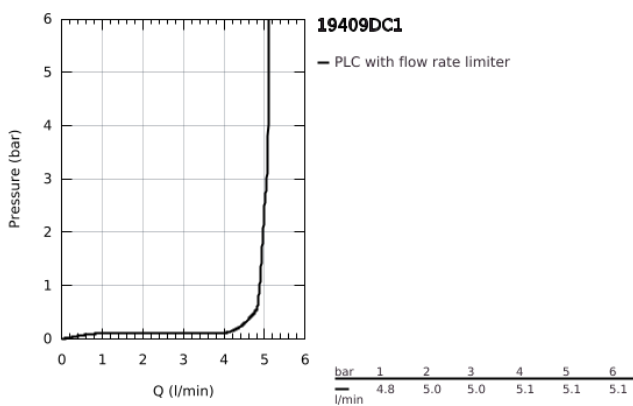


## 19 409 DC1 LINEARE 2-HOLE BASIN MIXER M-SIZE



### PRODUCT DESCRIPTION

- Colour: supersteel
- wall mounted
- trim set for use with rough-in set 23 571 000 / 32 635 000
- without concealed body
- metal rosette
- GROHE LongLife finish
- GROHE EcoJoy - less water, perfect flow
- maximum flow rate (at 3 bar): 5 l/min
- GROHE AquaGuide adjustable mousseur
- centre distance 110 mm
- projection 149 mm



## 19 409 DC1 LINEARE 2-HOLE BASIN MIXER M-SIZE

**SPARE PARTS**, September 2016 – now

1: Lever (Spare part-nr. 46982DC0)

2: Flow straightener (Spare part-nr. 46837DC0)

3: Extension (Spare part-nr. 46943000)\*

\* Optional accessories

