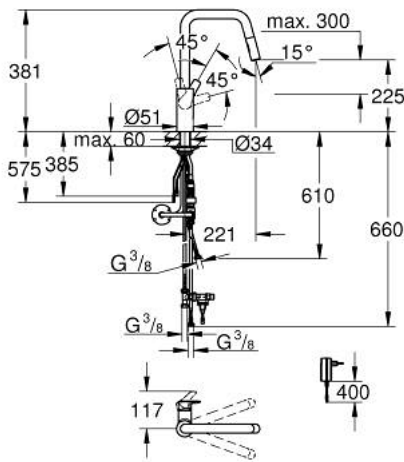


10 123 500 00 **EUROSMART SINGLE-LEVER SINK MIXER 1/2"**



PRODUCT DESCRIPTION (1/2)

- Colour: chrome
- high spout
- single hole installation
- 2-in-1 hybrid with touchless (cold water) or manual operation
- manual lever operation having priority
- GROHE SilkMove 28 mm ceramic cartridge
- flow straightener
- with integrated temperature limiter
- infra-red electronic
- with infrared sensor for bi-directional communication for monitoring, configuration and service purpose
- with plug transformer 100-230 V AC, 50-60 Hz, 6 V DC
- non-return valve
- dirt strainers
- integrated solenoid valve
- additional functions and precise settings by remote control 36 407
- GROHE LongLife finish
- Pull-Out spout for greater flexibility
- Dual Spray - switch between laminar spray and SpeedClean shower jet using diverter
- automatic return to laminar spray
- adjustable flow rate limiter
- swivel tubular spout, swivel area 150°
- Protected Water Ways no contact of water with lead or nickel inside the tap



Pure Freude
an Wasser



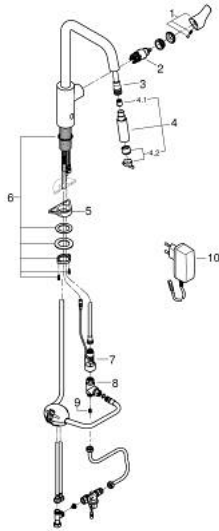
10 123 500 00 **EUROSMART SINGLE-LEVER SINK MIXER 1/2"**

PRODUCT DESCRIPTION (2/2)

- flexible connection hoses

- metal fixation set
- protected against backflow
- maximum flow rate (at 3 bar): 7.5 l/min
- minimum pressure 1.0 bar
- CE approved
- professional edition

10 123 500 00 EUROSMART SINGLE-LEVER SINK MIXER 1/2"



SPARE PARTS, December 2022 – now

- 1: Lever (Spare part-nr. 48531000)
- 2: cartridge (Spare part-nr. 1045609990)
- 3: Hose for sink mixer with pull-out dual spray or mousseur (Spare part-nr. 48293000)
- 4: Pull-Out spray (Spare part-nr. 48416000)
- 4.1: Non-return valve (Spare part-nr. 08565000)
- 4.2: Flow straightener (Spare part-nr. 48347000)
- 5: Support plate (Spare part-nr. 05334000)
- 6: Shank fastening assembly (Spare part-nr. 48384000)
- 7: flow sensor (Spare part-nr. 1045639990)
- 8: connection tube (Spare part-nr. 1045659990)
- 9: non-return valves (Spare part-nr. 1045629990)
- 10: Mains adaptor (Spare part-nr. 42388000)